



Global Manufacturing and Trading Company S.L
Polígono Industrial los Vientos Calle Alis o parcela nº4 46119, Náquera, Valencia, SPAIN
T +34 96 160 99 50 F +34 96 160 99 48
mantra@mantraco.org
www.mantrailuminacion.com

mAntra

AVANCE DECORATIVO



mAntra



mAntra



MANTRA EN EL MUNDO

MANTRA AROUND THE WORLD



+ 50
paises
countries

+ 20
años
years

+ 2000
clientes
customers



Kuzurman Polina

EN

Mantra works with a very diverse team of freelance designers, specialized in different branches of design.

They are a group of highly qualified professionals experience in the lighting sector, who contribute with original solutions in the development of new concepts; they also participate actively in the whole product development process, from the initial draft to the lasted finishing details

This wide variety of styles that our designers offer have a direct impact on our catalogues, which are made up of ideas that are adapted to any type of lighting need.

Besides, we take pride in having a great relationship with them, which goes beyond the professional link. We truly rely on their capability and work methods, which have provided, such innovative and stylish collections so far.



Dzis Liliya



Rubtsov Maxim

FR

Mantra collabore avec une équipe de dessinateurs externes très diverse, spécialisés dans différentes branches dans le monde du design.

Des professionnels avec une grande expérience dans le secteur de l'illumination, qui apportent des solutions innovatrices au développement de nouveaux concepts, et participent dans tous les processus de fabrication du produit, depuis le brouillon jusqu'à la conception du produit final.

Cette grande variété de styles influence directement notre catalogue, qui est composé de solutions qui s'adaptent à tous les styles ou besoins dans le monde de l'illumination.

Notre relation avec l'équipe de designers va plus loin que le contact professionnel, nous avons confiance sur leur savoir-faire, et leur méthodes de travail qui nous apporte fraîcheur et innovation, pour chacune de nos collections.



Santiago Sevillano Studio

ITL

Mantra collabora con un team di designer esterni molto diversi, specializzati in varie branche nel mondo del design.

Professionisti con esperienza nel settore dell'illuminazione che forniscono soluzioni innovative nello sviluppo di nuovi concetti, partecipando a tutti i processi di sviluppo del prodotto, dallo schizzo iniziale alla concezione del prodotto finale.

Questa ampia varietà di stili che ci offre influisce direttamente sul nostro catalogo, che è composto da soluzioni che si adattano a qualsiasi tipo di stile o esigenza nel mondo dell'illuminazione.

Il nostro trattamento con i designer va oltre un semplice trattamento professionale, confidiamo pienamente nel loro buon lavoro e nei loro metodi di lavoro che ci danno freschezza e innovazione in ciascuna delle nostre collezioni.



Privalov Andrey



José Ignacio Ballester Martínez

ESP

Mantra colabora con un equipo de diseñadores externos muy diverso, especializados en diversas ramas dentro del mundo del diseño.

Profesionales con experiencia en el sector de la iluminación que aportan soluciones novedosas en el desarrollo de nuevos conceptos, participando en todos los procesos de desarrollo del producto, desde el boceto inicial hasta la concepción del producto final.

Esta gran variedad de estilos que nos ofrecen incide directamente en nuestro catálogo, el cual está compuesto por soluciones que se adaptan a cualquier tipo de estilo o necesidad dentro del mundo de la iluminación.

Nuestro trato con los diseñadores va más allá de un mero trato profesional, confiamos plenamente en su buen hacer y en sus métodos de trabajo que nos aporta frescura e innovación en cada una de nuestras colecciones.



Maria Khachikyan



INTERIOR DECORATIVO - *DECORATIVE INDOOR*

ALISIO 124

BASKETBALL 102

BOOK 34

CENTIPEDE 94

COLLAGE 8

FARO..... 54

HIMALAYA 106

MINIMAL 40

SHELL 20

TÍBET 114

TRAZOS 82

VECTOR 58

VERTICAL 70



COLLAGE by Santiago Sevillano

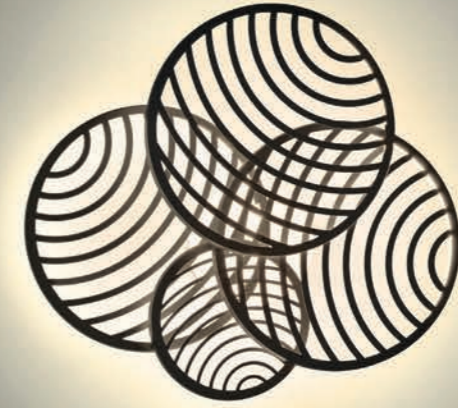


7233

Registered N° 007663331-0006



7230



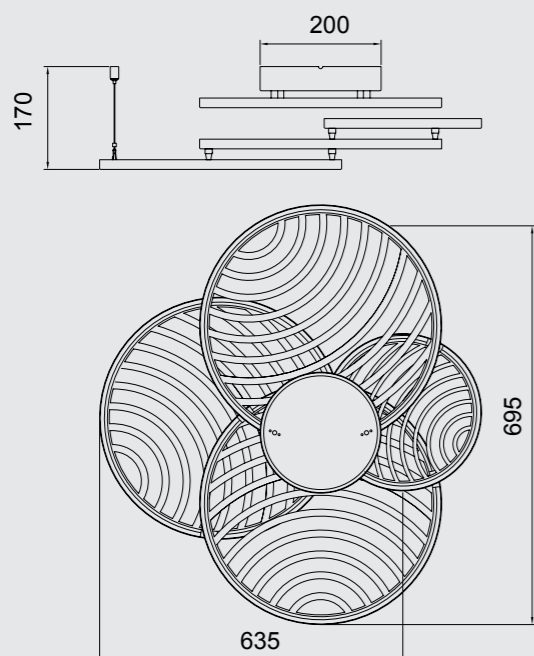
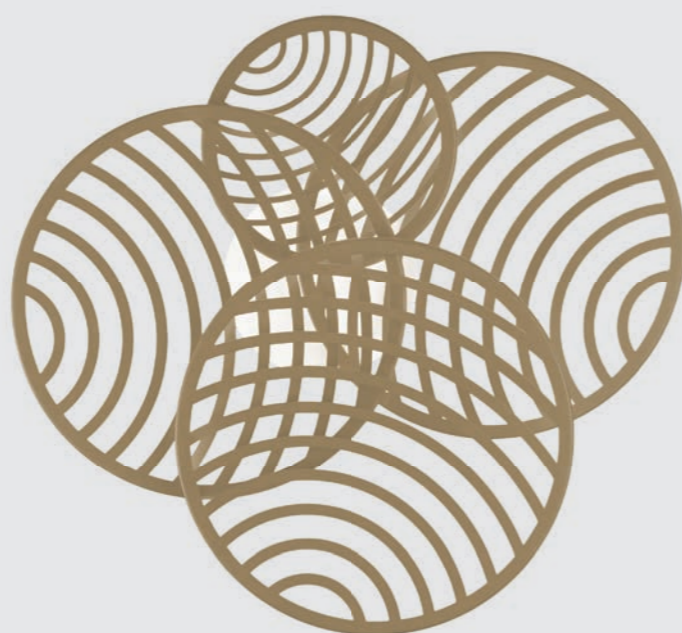
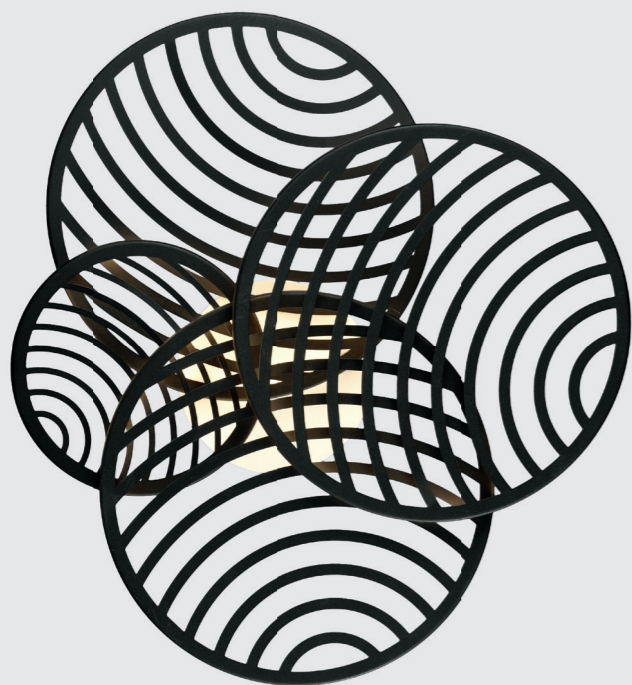
Registered N° 007663331-0006

COLLAGE by Santiago Sevillano

COLLAGE

7230 Negro-Black
LED 60W 3000K 4500lm

7231 Oro-Gold
LED 60W 3000K 4500lm



Metal-Metal 220-240V - 50/60Hz CRI > 80

7230

COLLAGE



Registered N° 007663331-0006



COLLAGE

7234



Registered N° 007663331-0006

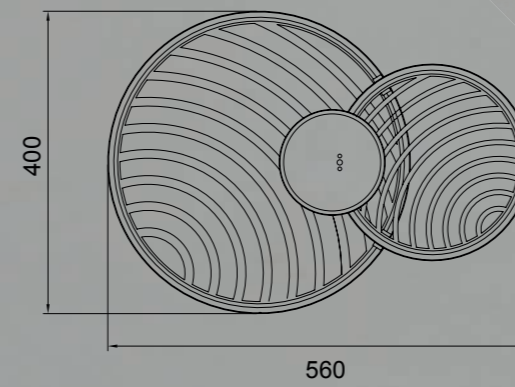
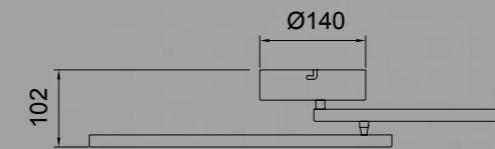
Plafón / Ceiling Lamp

COLLAGE

7234 Negro-Black
LED 30W 3000K 2250lm



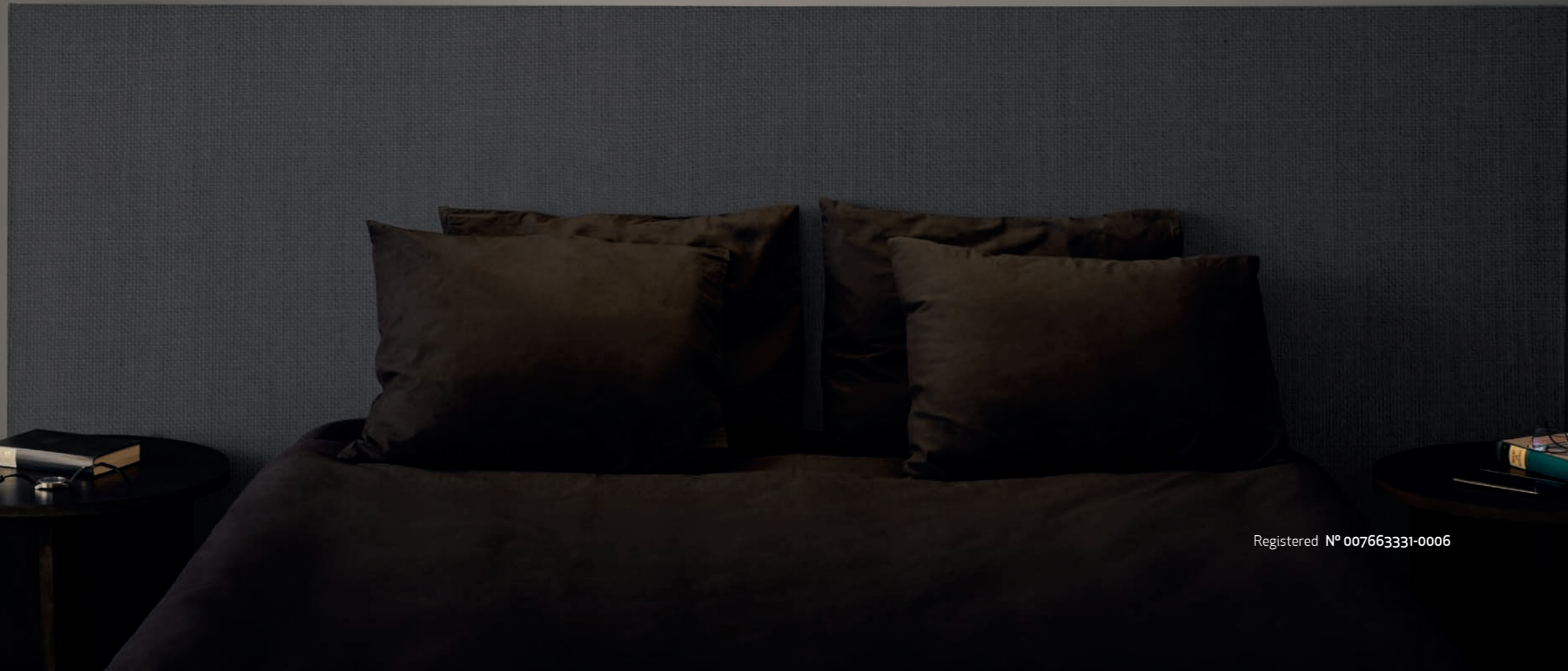
7235 Oro-Gold
LED 30W 3000K 2250lm



Metal-Metal 220-240V~ 50/60Hz CRI> 80



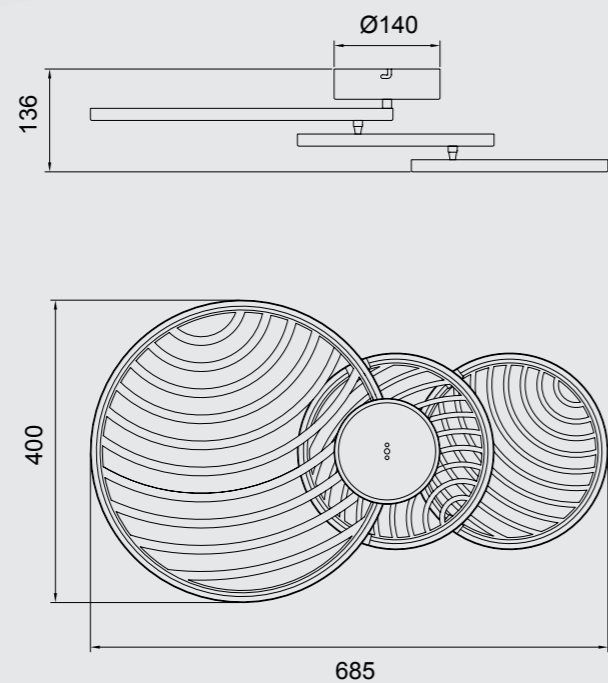
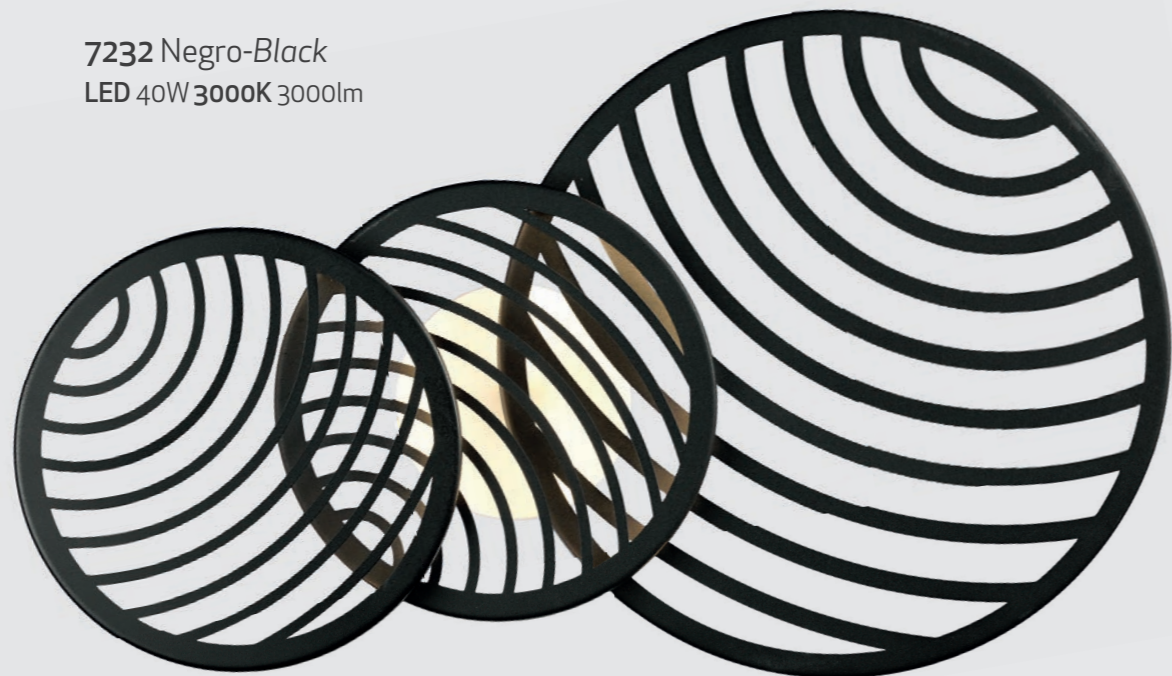
COLLAGE by Santiago Sevillano



Registered N° 007663331-0006

COLLAGE

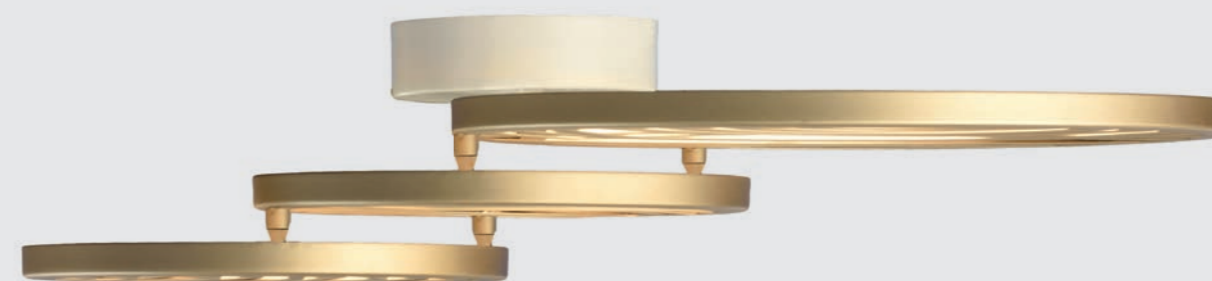
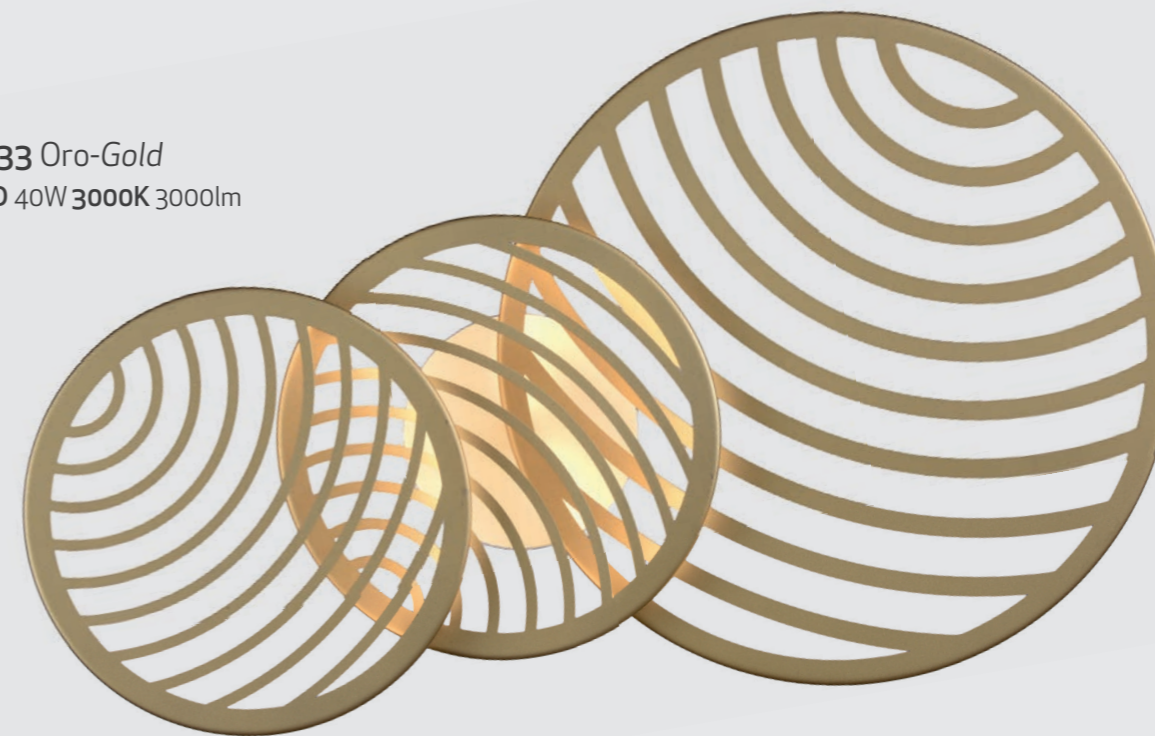
7232 Negro-Black
LED 40W 3000K 3000lm



Metal-Metal 220-240V~ 50/60Hz CRI> 80

COLLAGE

7233 Oro-Gold
LED 40W 3000K 3000lm



Metal-Metal 220-240V~ 50/60Hz CRI> 80



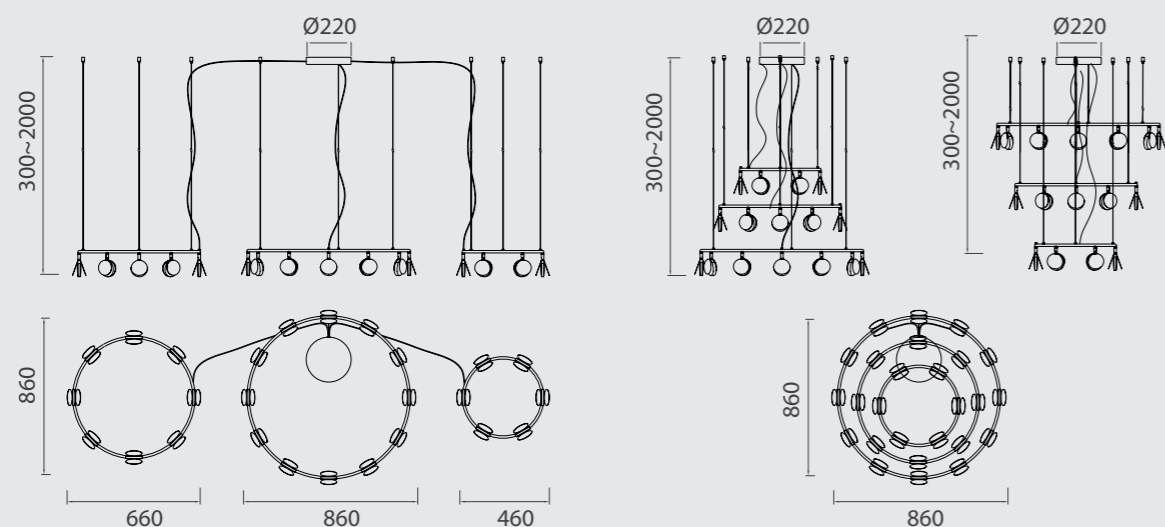
SHELL by Kuzurman Polina



SHELL by Kuzurman Polina

SHELL

7355 Oro-Gold
LED 120W 3000K 6360 lm



Metal-Metal 220-240V~ 50/60Hz CRI> 80

7355

SHELL

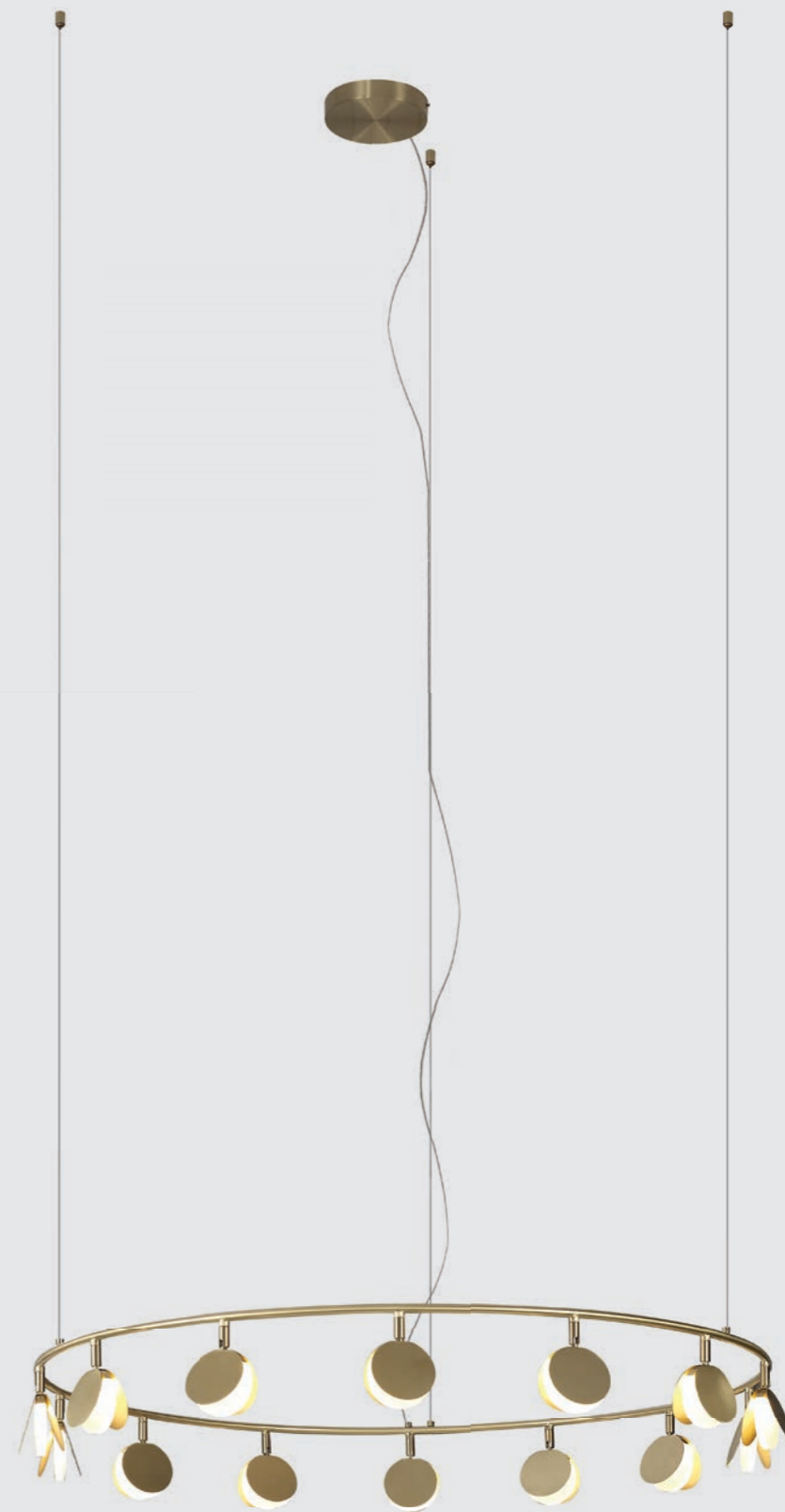


Lámpara/Pendant Lamp

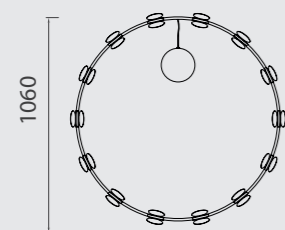
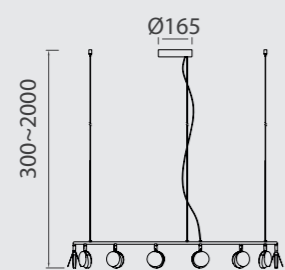
SHELL



SHELL



7357 Oro-Gold
LED 60W 3000K 3180 lm



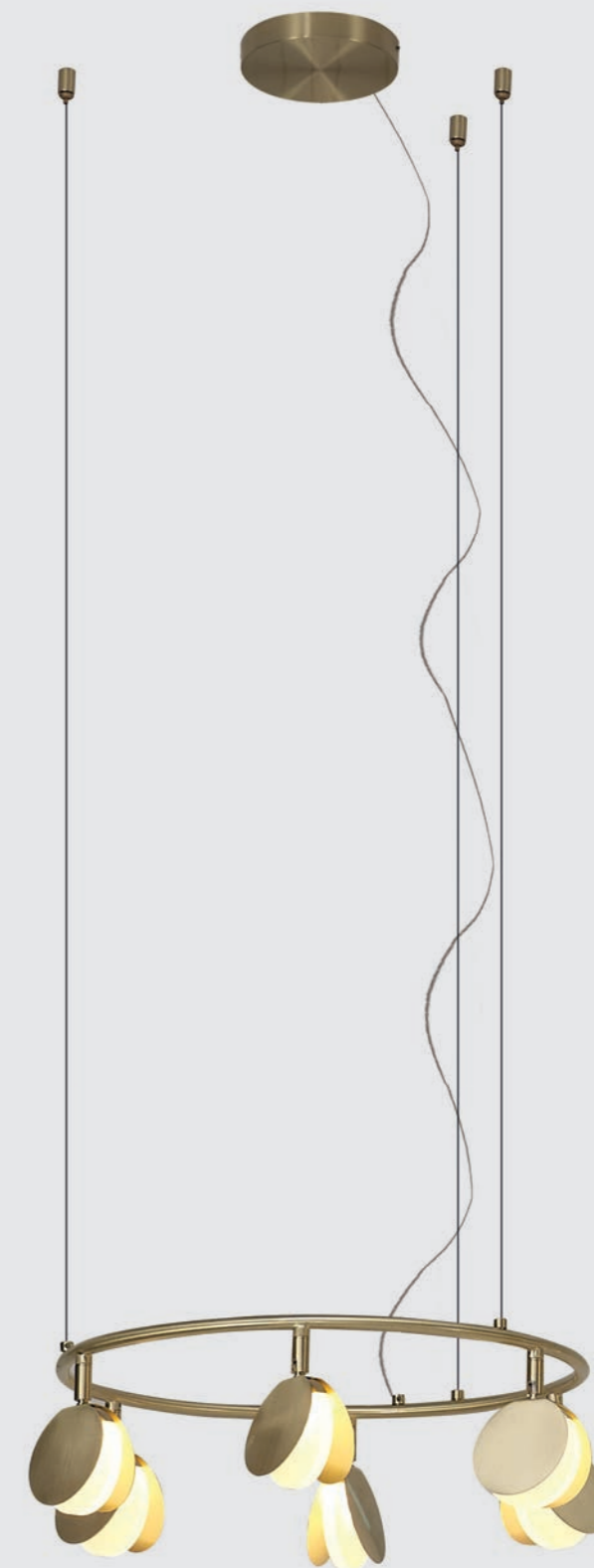
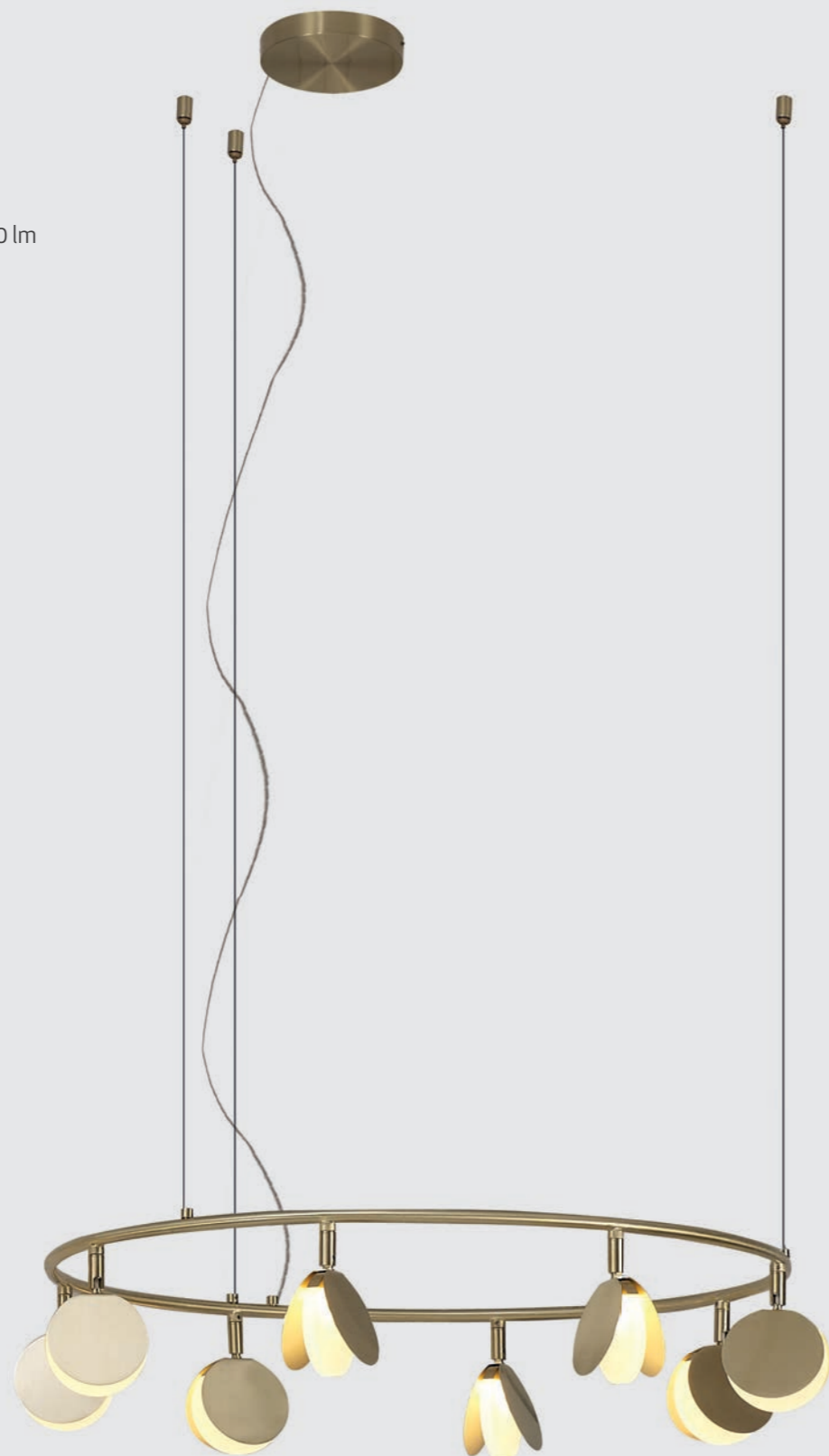
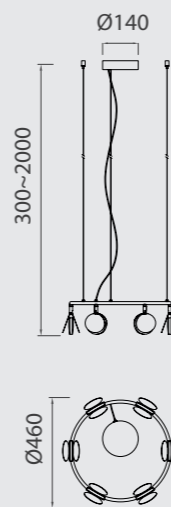
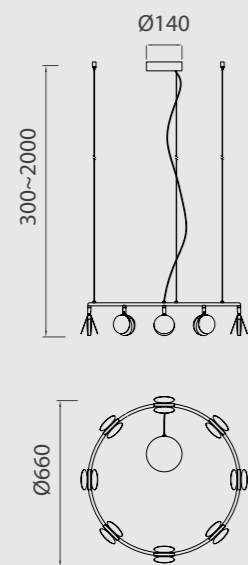
Metal-Metal 220-240V~ 50/60Hz CRI> 80

SHELL

SHELL

7261 Oro-Gold
LED 40W 3000K 2120 lm

7262 Oro-Gold
LED 30W 3000K 1590 lm



Metal-Metal 220-240V~ 50/60Hz CRI> 80



Metal-Metal 220-240V~ 50/60Hz CRI> 80



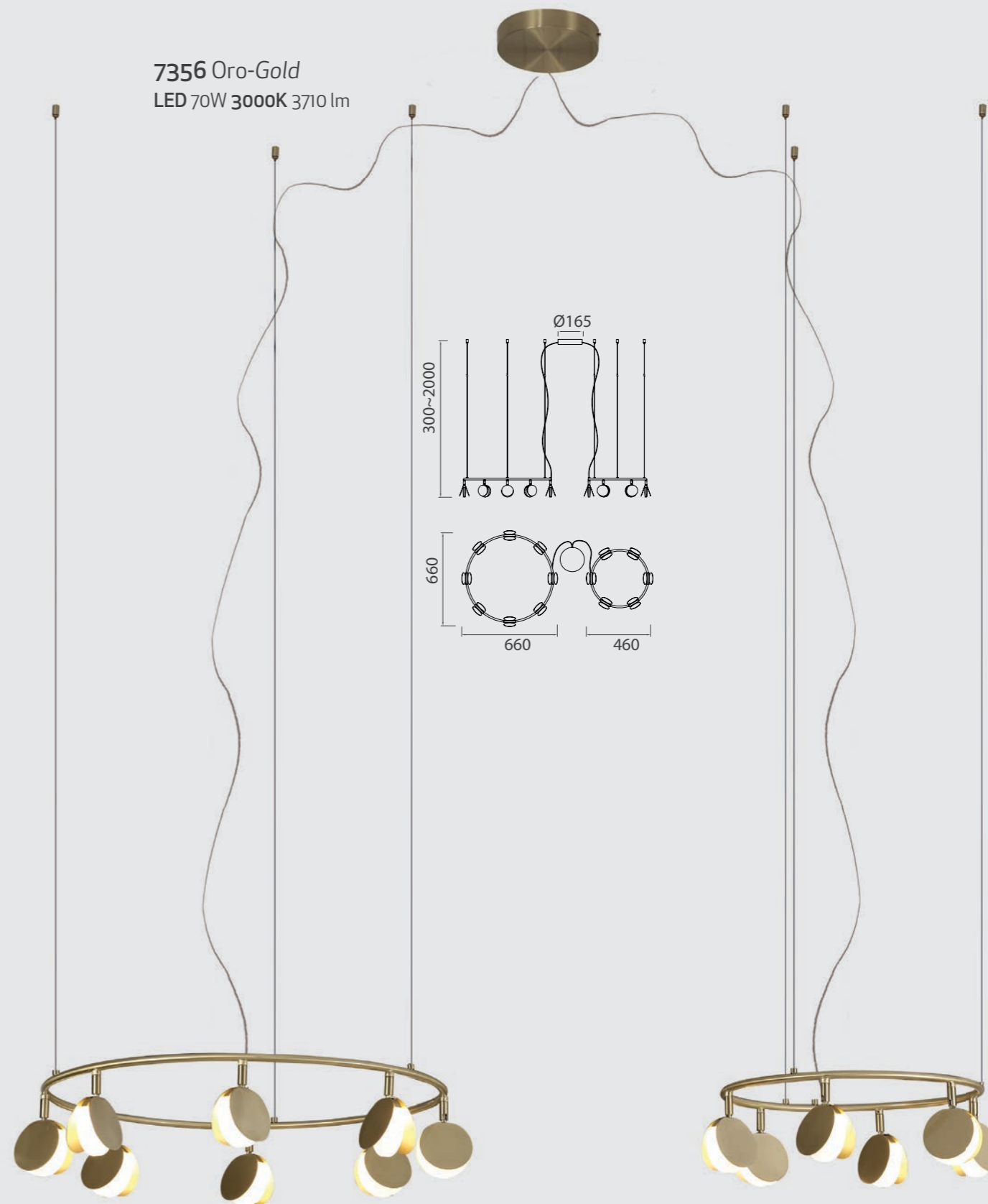
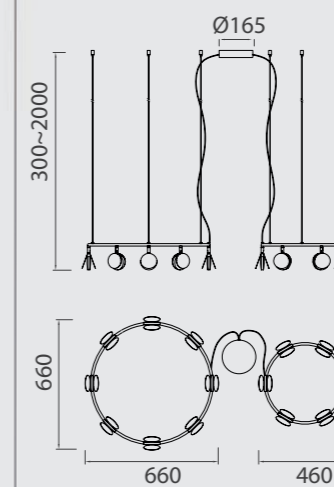
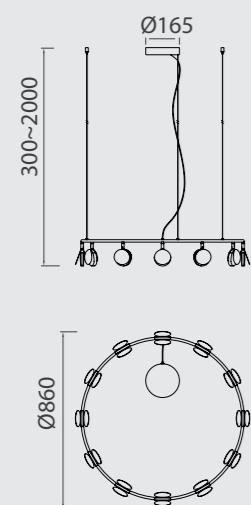
SHELL by M designer

SHELL

SHELL

7260 Oro-Gold
LED 50W 3000K 2650 lm

7356 Oro-Gold
LED 70W 3000K 3710 lm



Metal-Metal 220-240V~ 50/60Hz CRI> 80



Metal-Metal 220-240V~ 50/60Hz CRI> 80

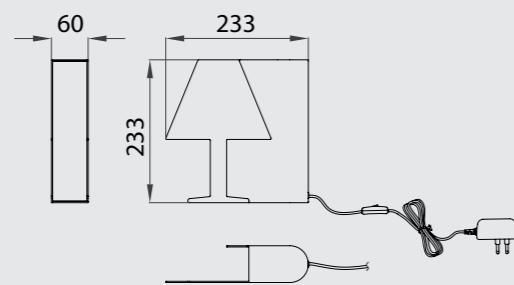


BOOK by Dzis Liltya

Registered N° 007663331-0023

BOOK

7246 Blanco-White
LED 7W 3000K 420lm



Metal-Metal 100-240V - 50/60Hz CRI> 80

BOOK



Registered N° 007663331-0023



MINIMAL by Santiago Sevillano

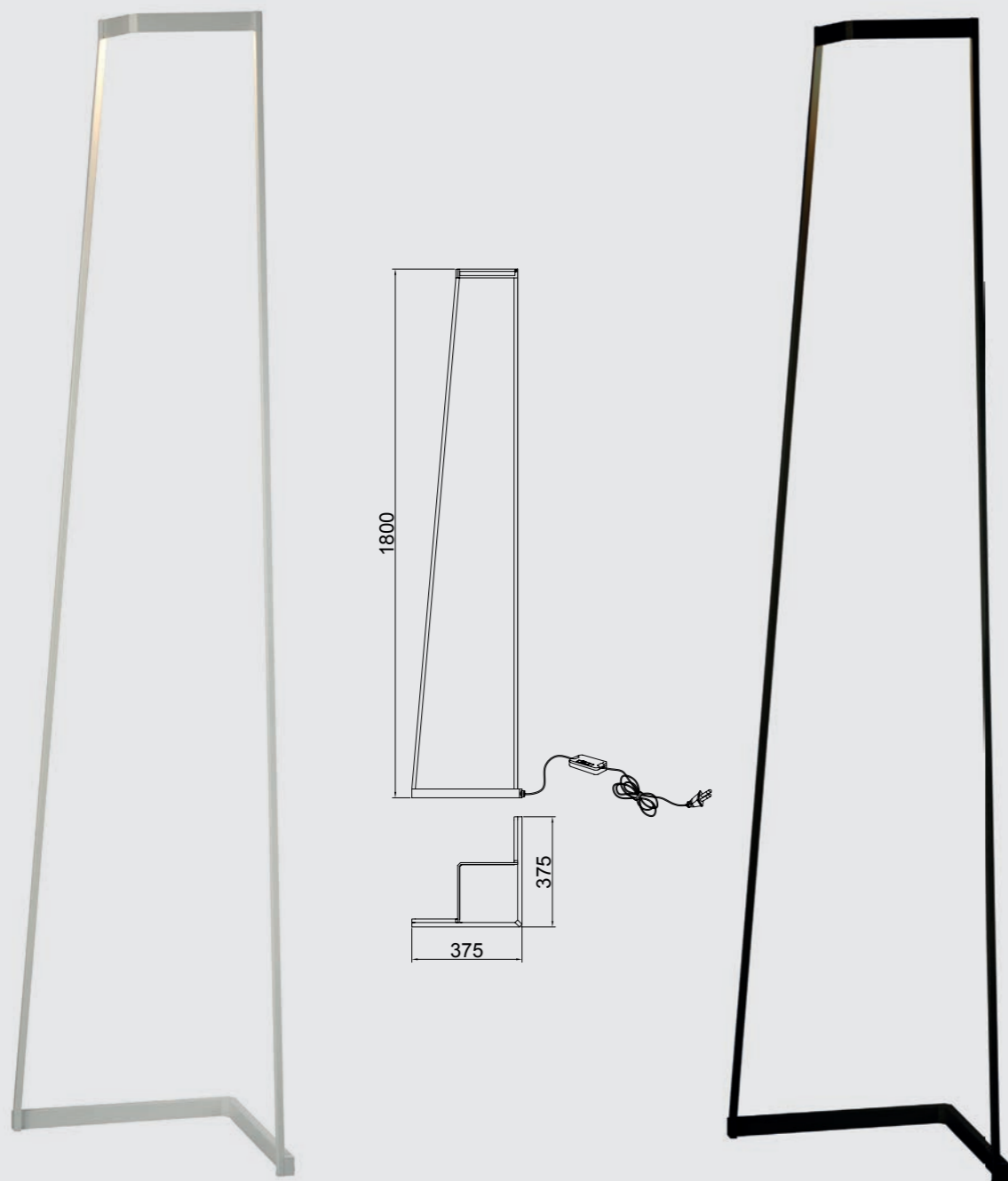


Registered N° 007663331-0025

MINIMAL

7282 Blanco-White
LED 20W 3000K 1500lm

7283 Negro-Black
LED 20W 3000K 1500lm



Metal-Metal 220-240V~ 50/60Hz CRI> 80

MINIMAL



Registered N° 007663331-0025



MINIMAL by Santiago Sevillano

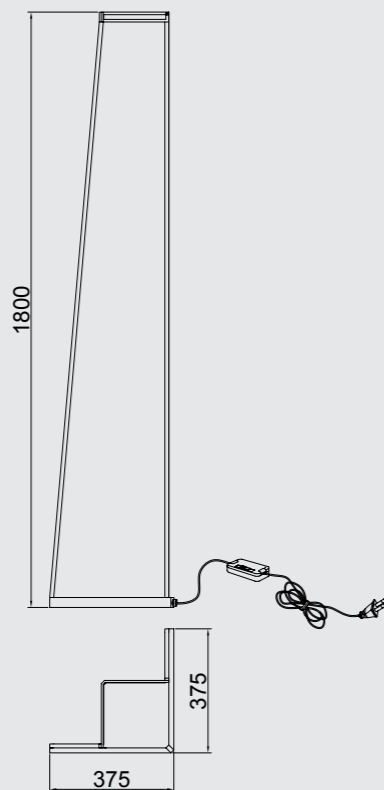
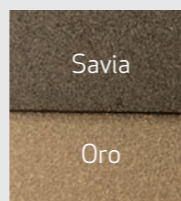


Registered N° 007663331-0025

MINIMAL

7286 Oro-Gold
LED 20W 3000K 1500lm

7288 Savia-Savia
LED 20W 3000K 1500lm



Metal-Metal 220-240V~ 50/60Hz CRI> 80



7283

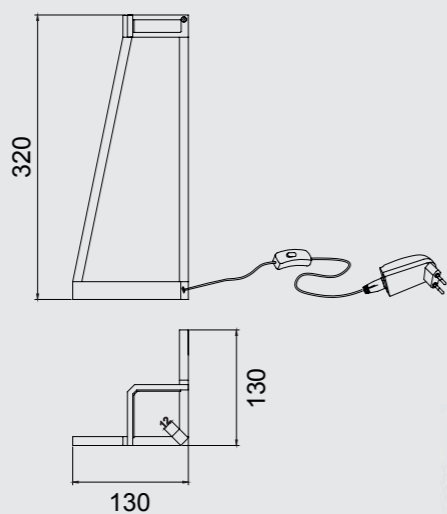
MINIMAL

Registered Nº 007663331-0025

MINIMAL

7280 Blanco-White
LED 5W 3000K 375lm

7281 Negro-Black
LED 5W 3000K 375lm



Metal-Metal 220-240V~ 50/60Hz CRI> 80

7281

MINIMAL

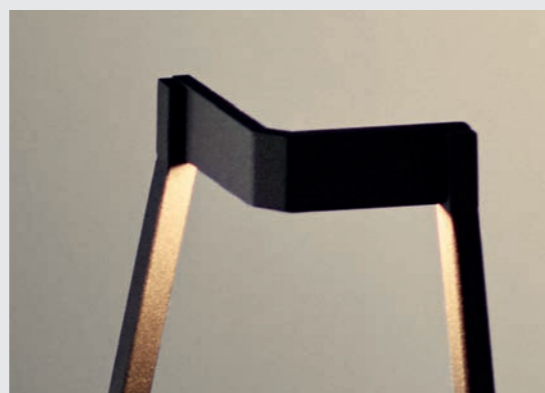
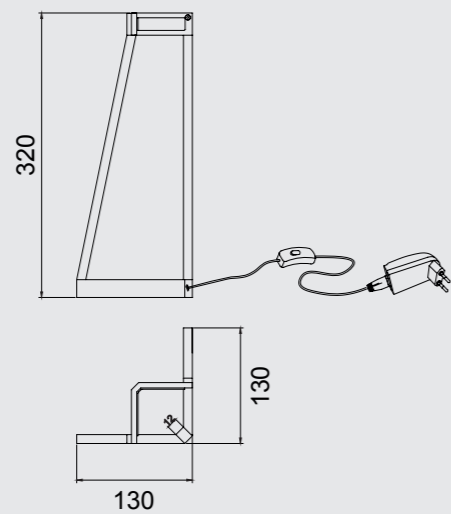
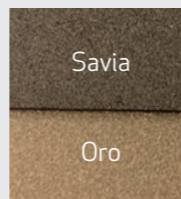


Registered Nº 007663331-0026

MINIMAL

7285 Oro-Gold
LED 5W 3000K 375lm

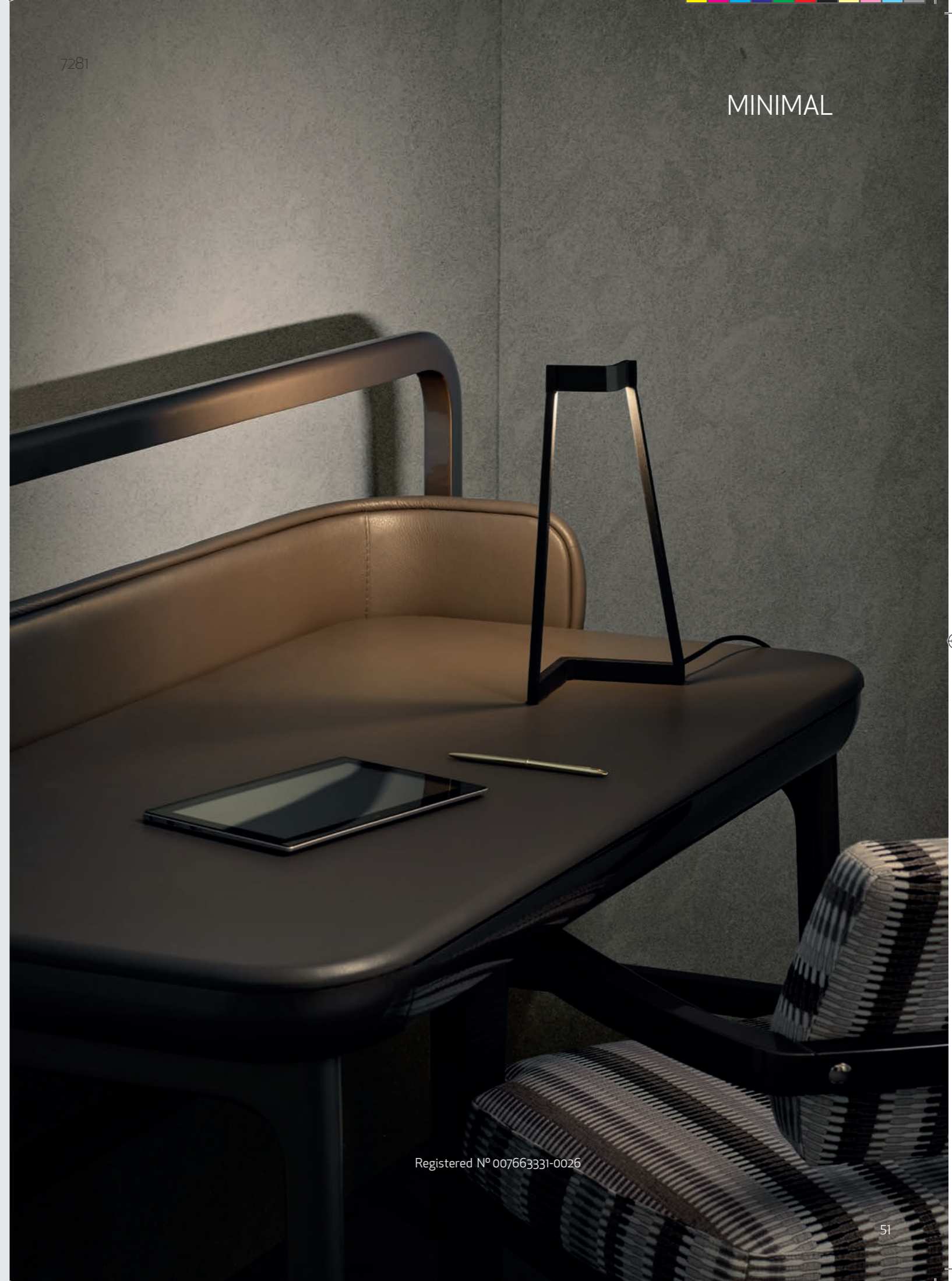
7287 Savia-Savia
LED 5W 3000K 375lm



Metal-Metal 220-240V~ 50/60Hz CRI> 80

7281

MINIMAL



Registered N° 007663331-0026



FARO by Khachikyan Maria



Registered N° 007663331-0003

FARO

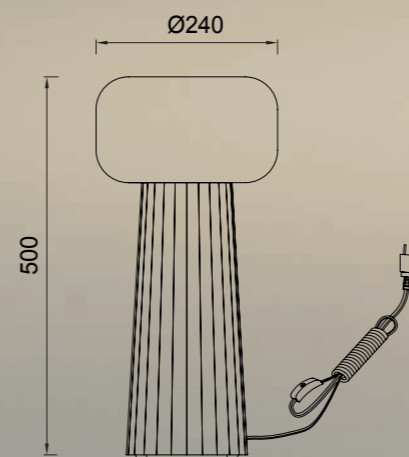
7249 Negro-Black
1L x E27 (no incl.)



PU/Cristal-PU/Glass 100-240V~ 50/60Hz CRI> 80 E27 máx.20W Led

FARO

7248 Blanco-White
1L x E27 (no incl.)



Registered N° 007663331-0002



PU/Cristal-PU/Glass 100-240V~ 50/60Hz CRI> 80 E27 máx.20W Led

FARO by Khachikyan Maria



FARO



Lamp off

Registered N° 007663331-0002



VECTOR by Santiago Sevillano





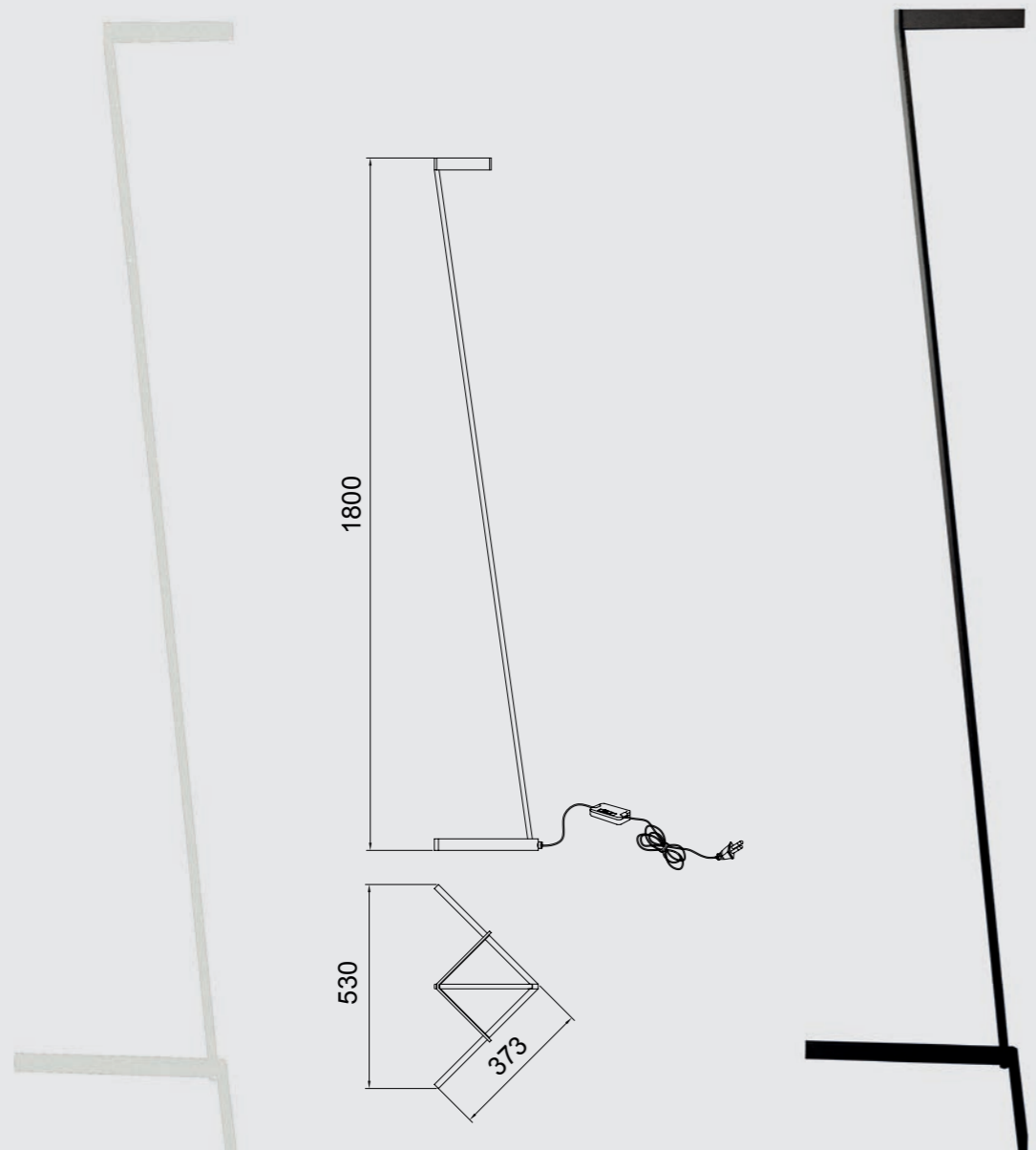
VECTOR by Santiago Sevillano



VECTOR

7332 Blanco-White
LED 20W 3000K 1500lm

7333 Negro-Black
LED 20W 3000K 1500lm



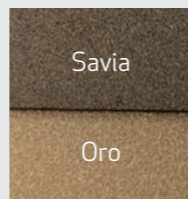
Metal-Metal 220-240V~ 50/60Hz CRI> 80

VECTOR



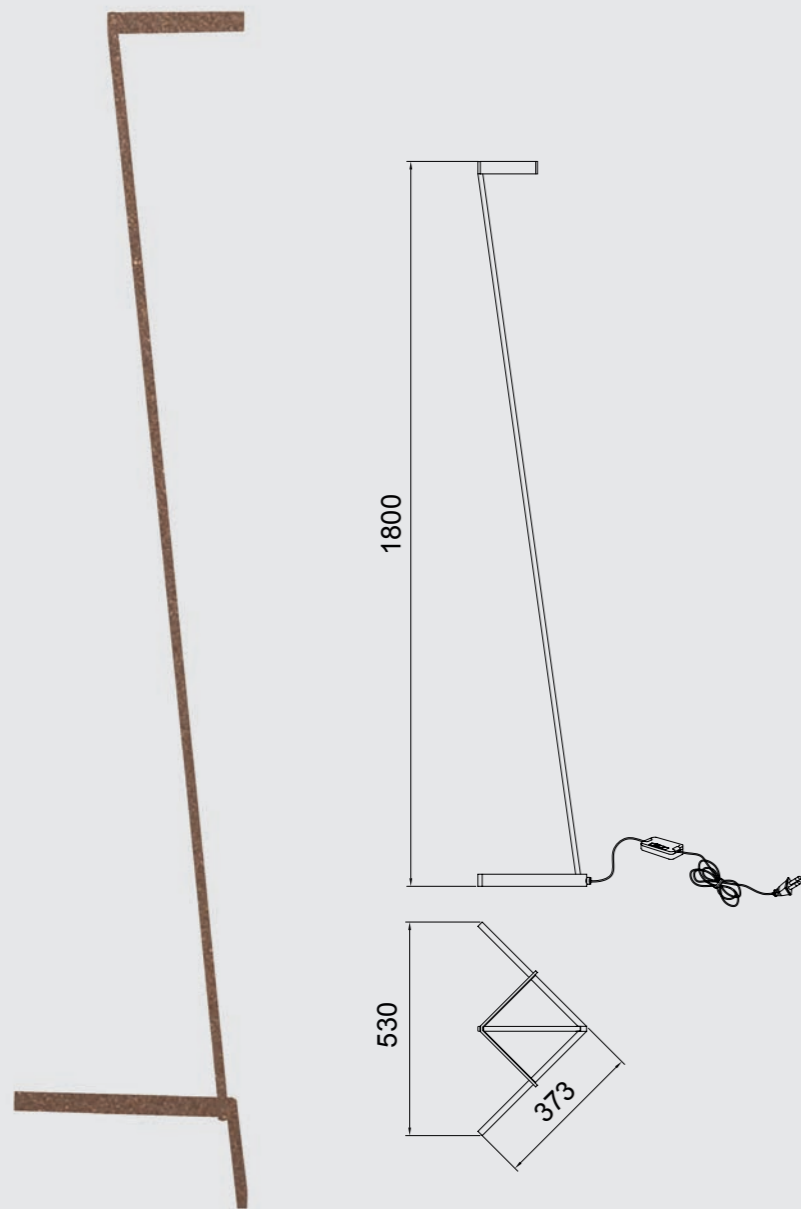
VECTOR

VECTOR



7335 Oro-Gold
LED 20W 3000K 1500lm

7337 Savia-Savia
LED 20W 3000K 1500lm

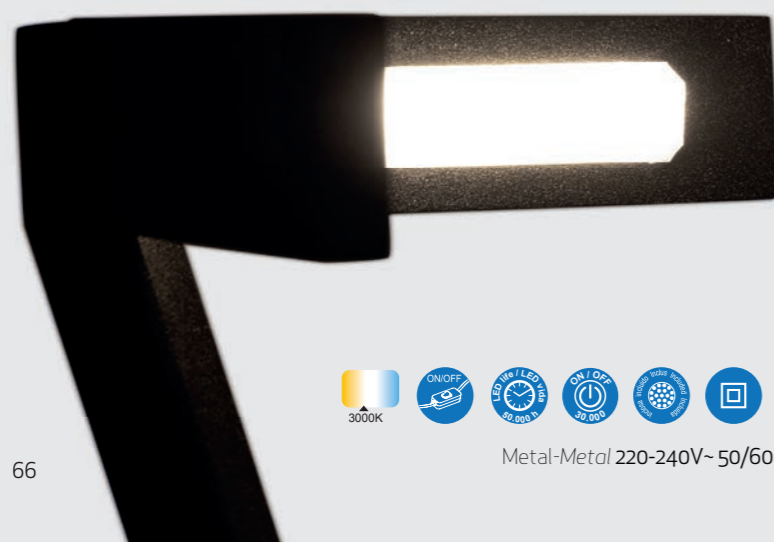
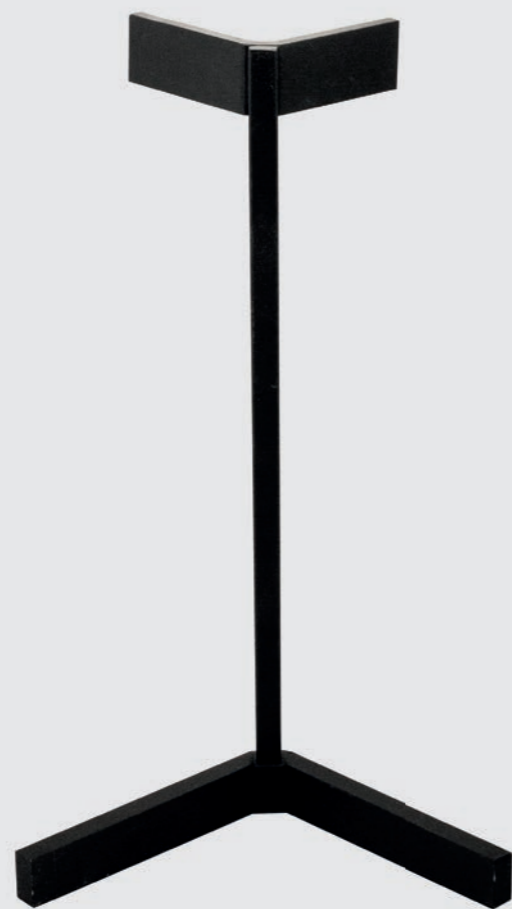
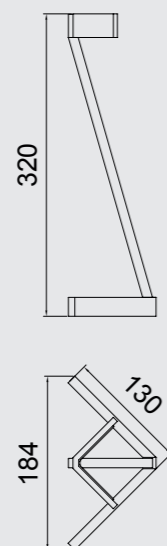


Metal-Metal 220-240V~ 50/60Hz CRI> 80

VECTOR

7330 Blanco-White
LED 5W 3000K 375lm

7331 Negro-Black
LED 5W 3000K 375lm



Metal-Metal 220-240V- 50/60Hz CRI> 80

VECTOR



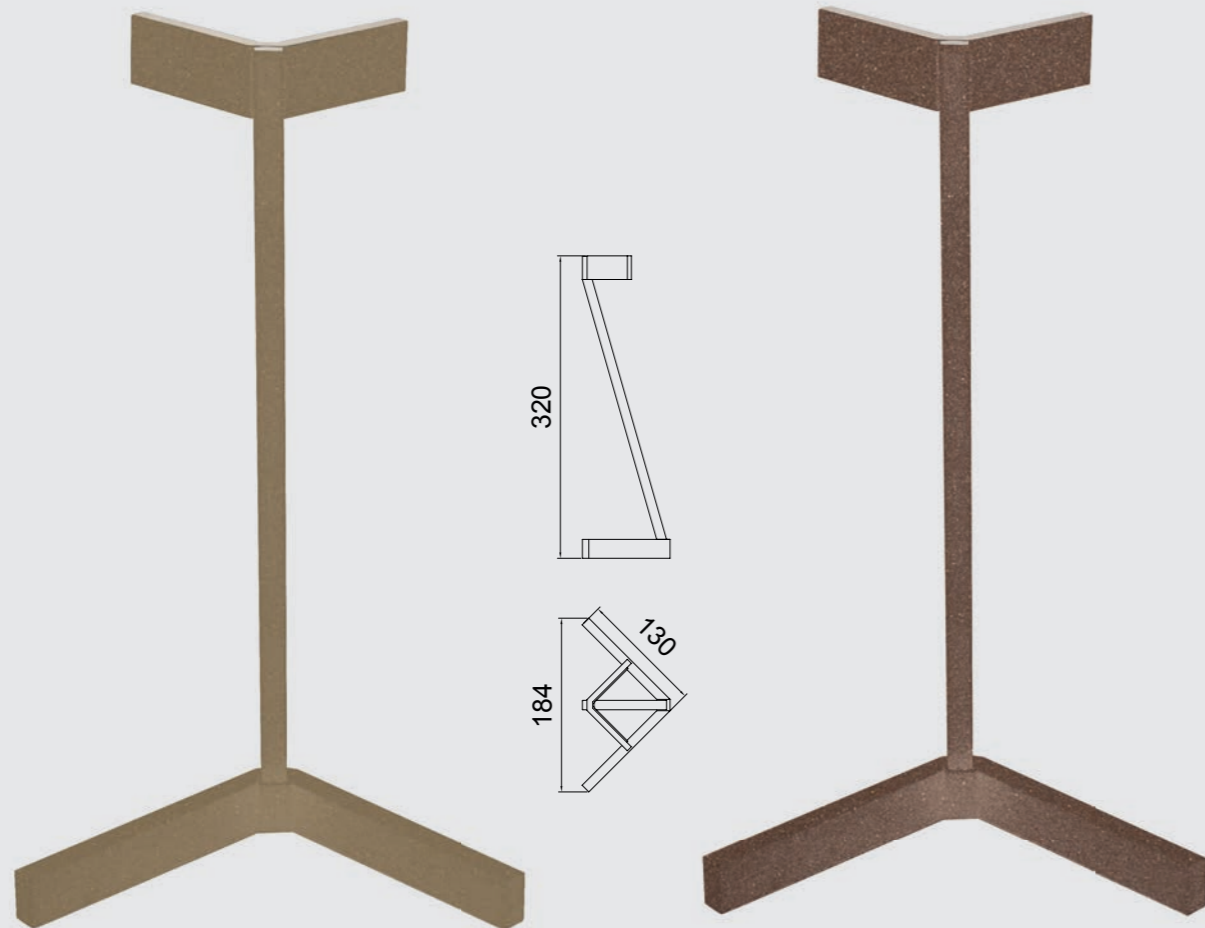
VECTOR

Savia

Oro

7334 Oro-Gold
LED 5W 3000K 375lm

7336 Savia-Savia
LED 5W 3000K 375lm



Metal-Metal 220-240V~ 50/60Hz CRI> 80

VECTOR



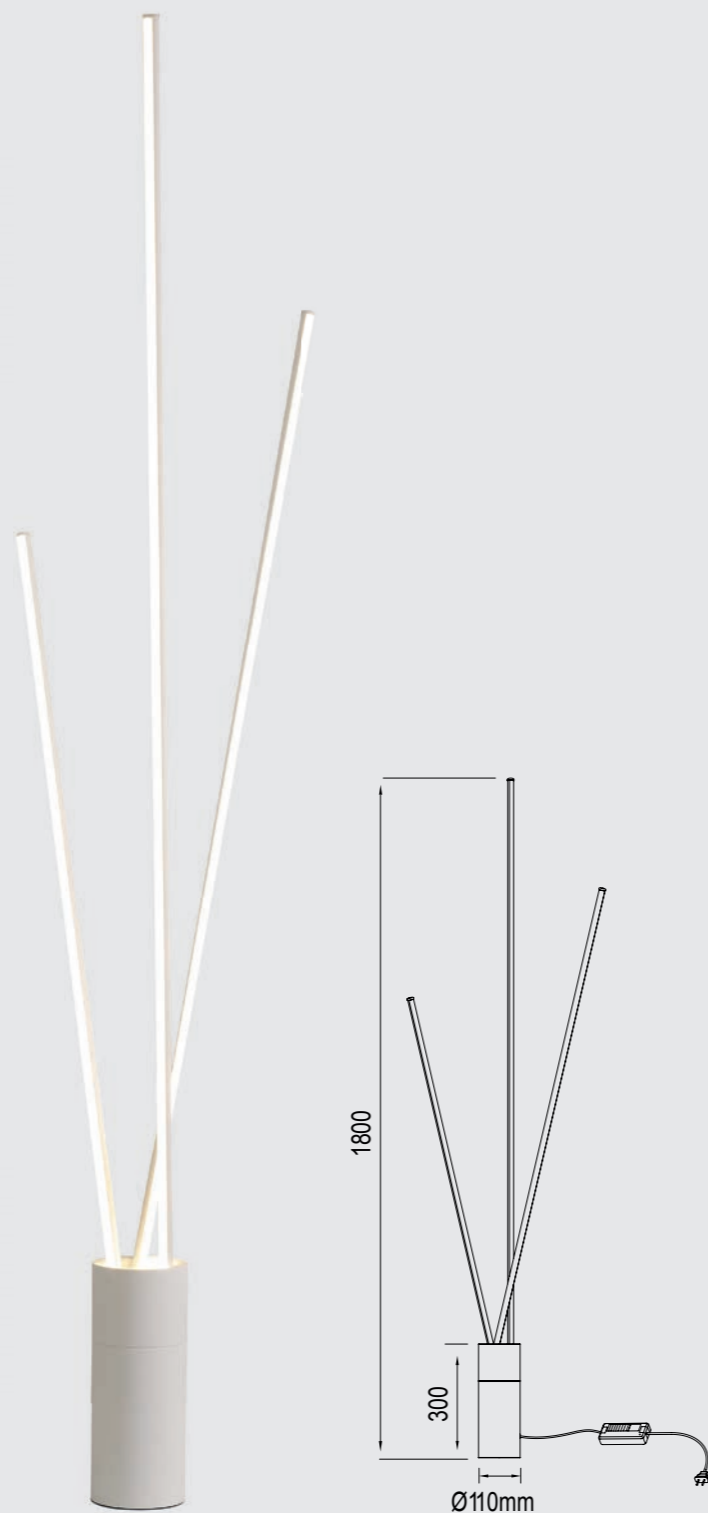


VERTICAL by Mantra Team



VERTICAL

7347 Blanco-White
LED 5W 3000K 375lm



Metal-Metal 220-240V~ 50/60Hz CRI> 80

VERTICAL

7348 Negro-Black
LED 60W 3000K 3600lm



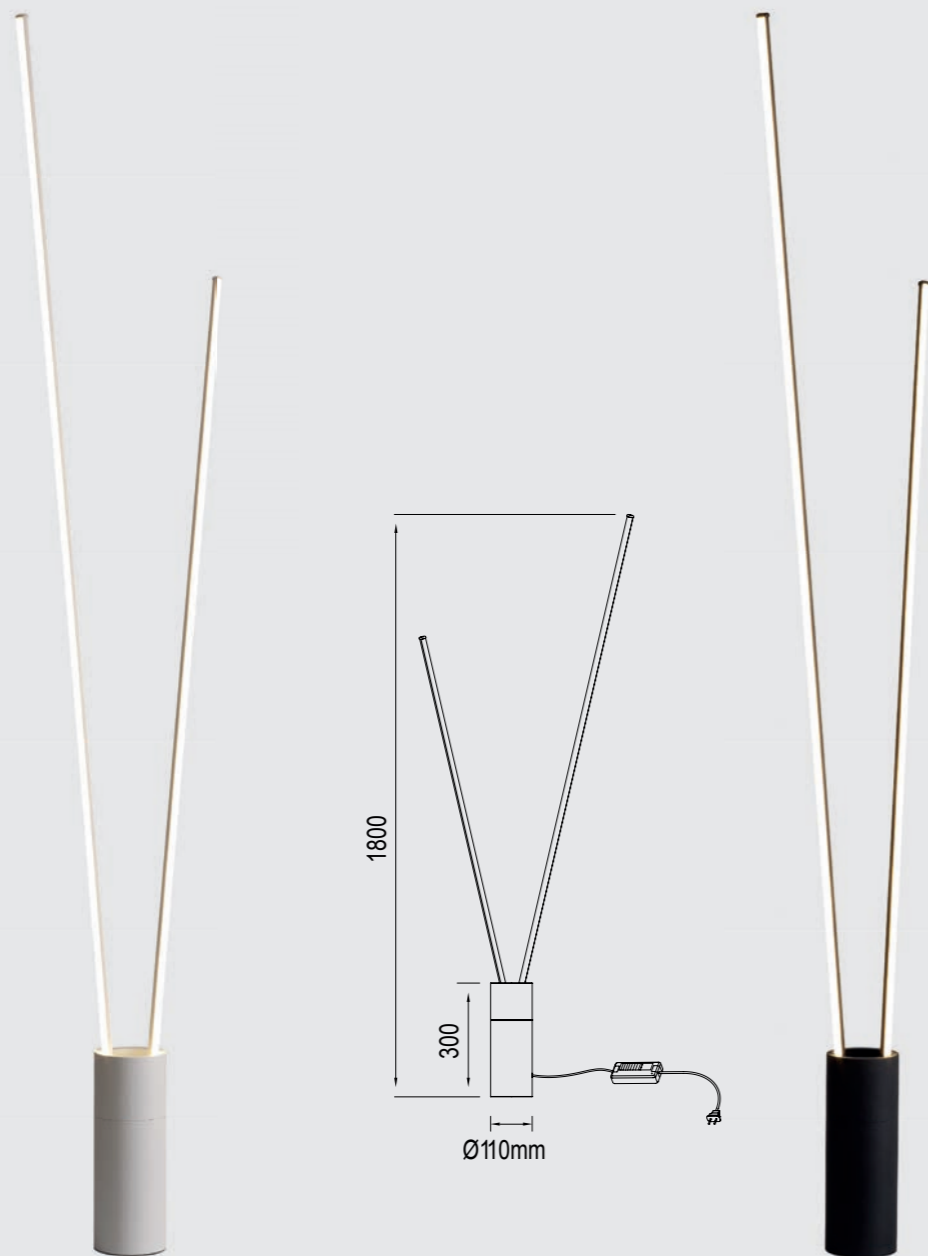
VERTICAL by Mantra Team



VERTICAL

7345 Blanco-White
LED 44W 3000K 2600lm

7346 Negro-Black
LED 44W 3000K 2600lm



Metal-Metal 220-240V- 50/60Hz CRI> 80

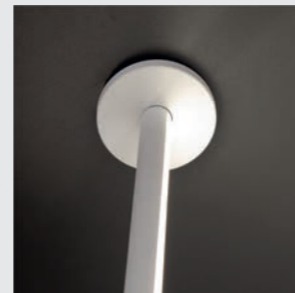
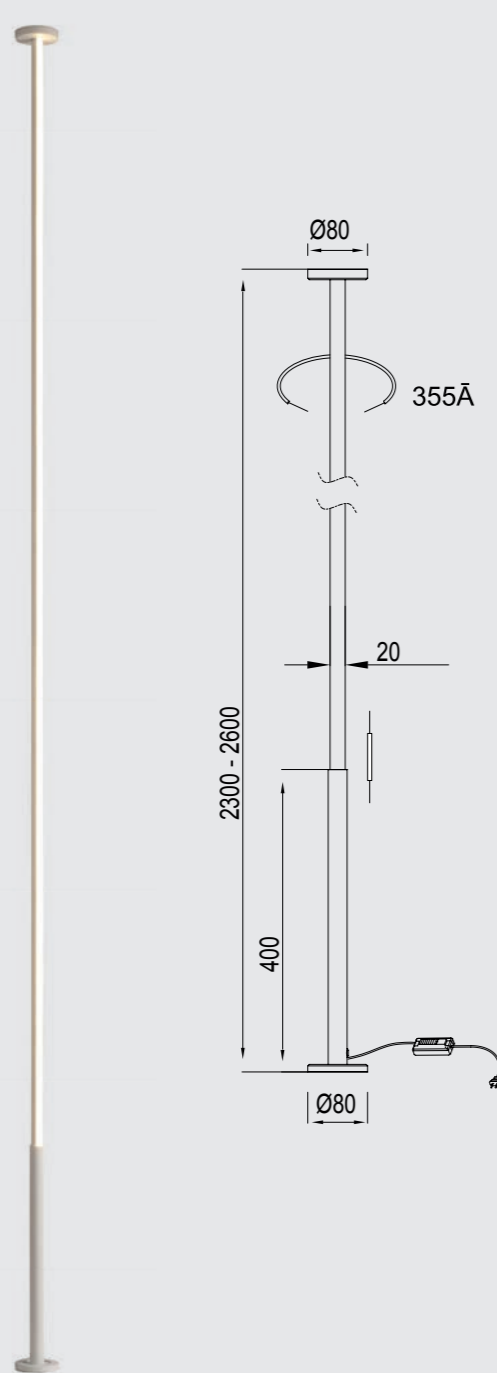
VERTICAL



VERTICAL

7349 Blanco-White
LED 30W 3000K 1800lm

7350 Negro-Black
LED 30W 3000K 1800lm



Metal-Metal 220-240V~ 50/60Hz CRI> 80

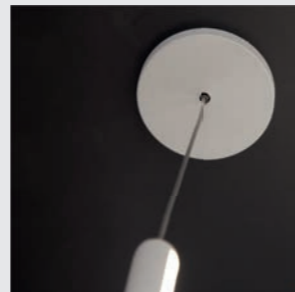
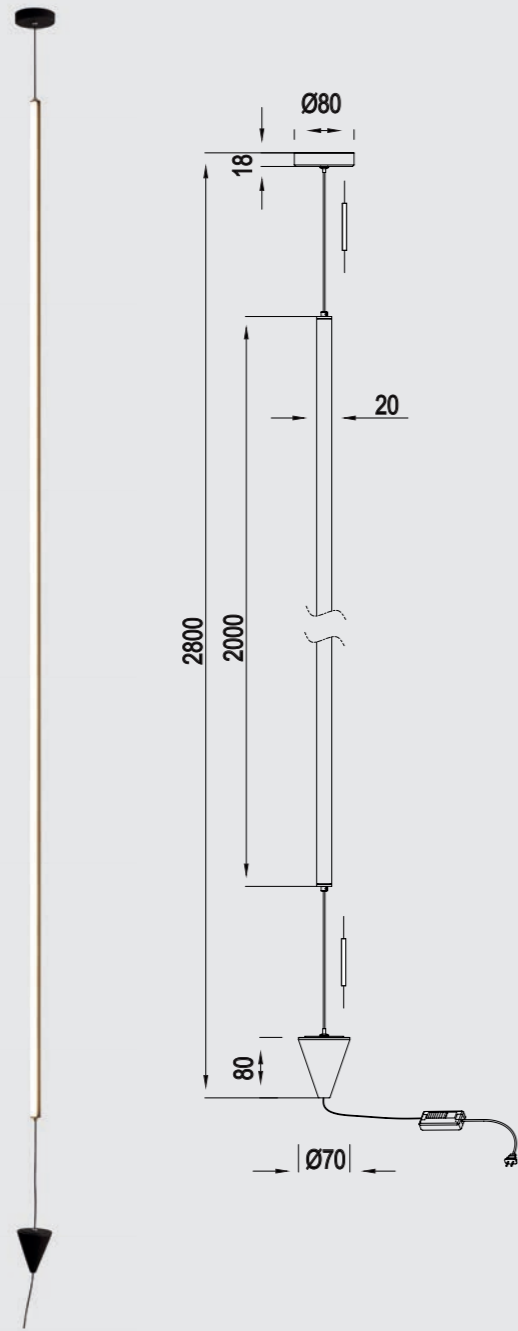
VERTICAL



VERTICAL

7352 Negro-Black
LED 36W 3000K 2160lm

7351 Blanco-White
LED 36W 3000K 2160lm



Metal-Metal 220-240V~ 50/60Hz CRI> 80

VERTICAL





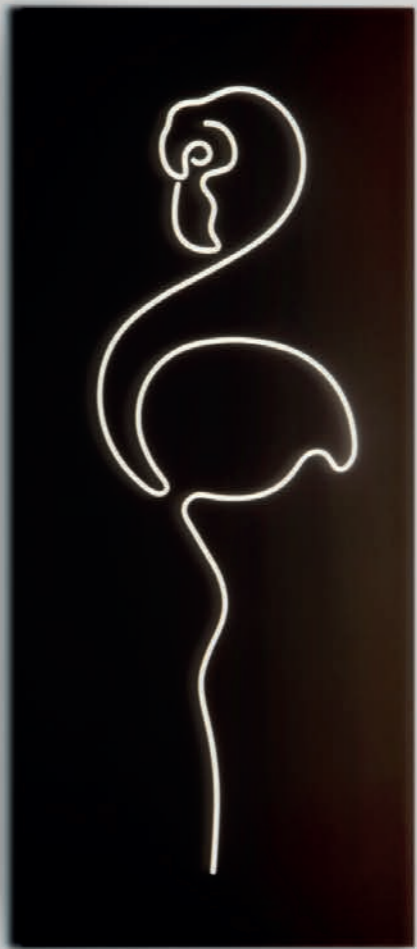
TRAZOS by José Ignacio Ballester



Registered Nº 007663331-0020



7265

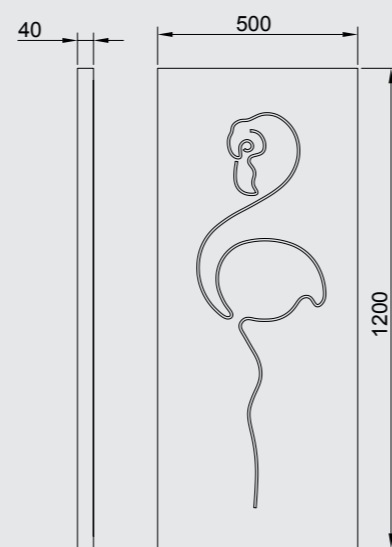
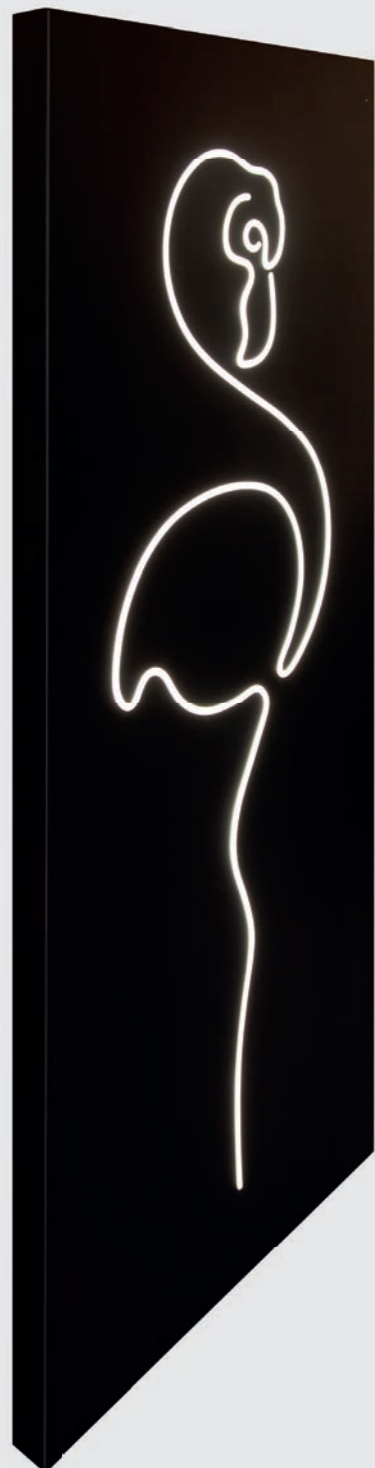


TRAZOS by José Ignacio Ballester

Registered N° 007663331-0022

TRAZOS

7265 Negro mate-Matt black
LED 22W 4000K 1100lm



Madera-Wood 100-250V~ 50/60Hz CRI >80



TRAZOS

Registered N° 007663331-0022



7266



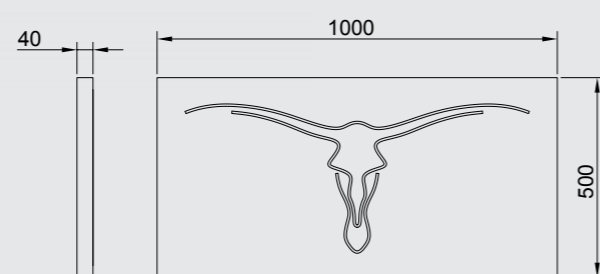
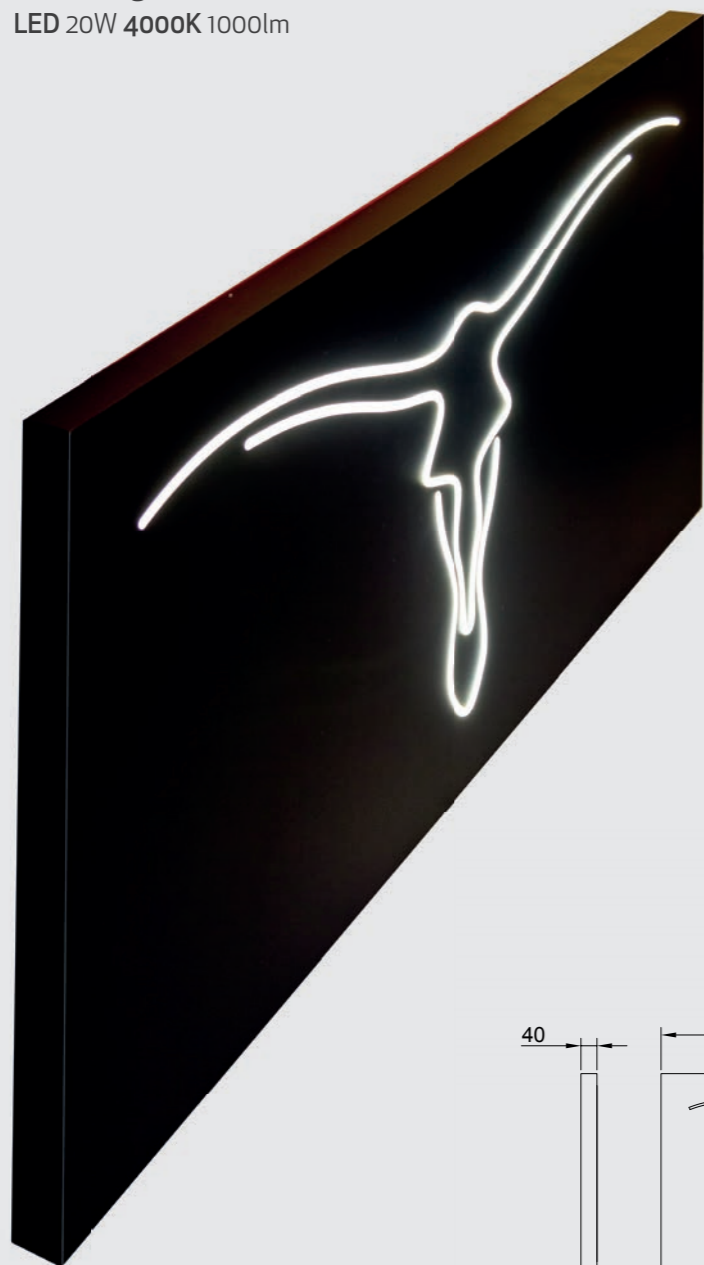
Registered N° 007663331-0021

TRAZOS by José Ignacio Ballester



TRAZOS

7266 Negro mate-Matt black
LED 20W 4000K 1000lm



Madera-Wood 100-250V~ 50/60Hz CRI >80

TRAZOS



Registered N° 007663331-0021



CENTIPEDE by Rubtsov Maxim

Registered N° 007663331-0001

CENTIPEDE

7253 Azul-Blue
1L x E27 (no incl.)



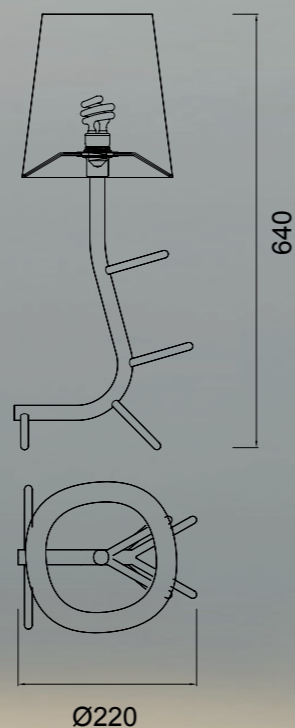
7252 Rojo-Red
1L x E27 (no incl.)



7250 Blanco-White
1L x E27 (no incl.)



7251 Negro-Black
1L x E27 (no incl.)



Metal+Pantalla Tela/Blanca-Metal+Fabric/White 100-240V~ 50/60Hz CRI> 80 E27 máx.20W Led

7250

CENTIPEDE



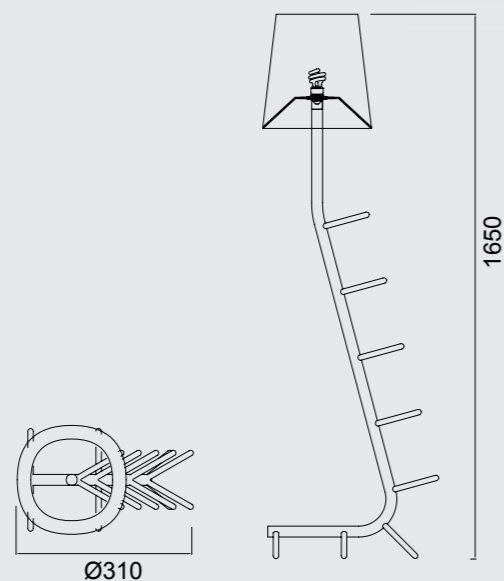
Registered N° 007663331-0001

CENTIPEDE

7254 Blanco-White
1L x E27 (no incl.)

7257 Azul-Blue
1L x E27 (no incl.)

7256 Rojo-Red
1L x E27 (no incl.)



Metal+Pantalla Tela/Blanca-Metal+Fabric/White 100-240V~ 50/60Hz CRI> 80 E27 máx.20W Led

7255

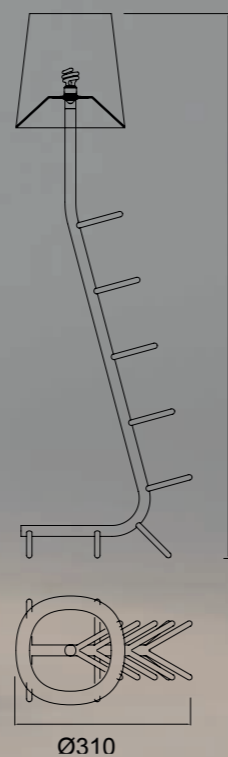
CENTIPEDE



Registered N° 007663331-0001

CENTIPEDE

7255 Negro-Black
1L x E27 (no incl.)



Metal+Pantalla Tela/Blanca-Metal+Fabric/White 100-240V~ 50/60Hz CRI> 80 E27 máx.20W Led



CENTIPEDE

Registered N° 007663331-0001

BASKETBALL by Privalov Andrey

7244



Registered N° 007663331-0027

BASKETBALL

7243



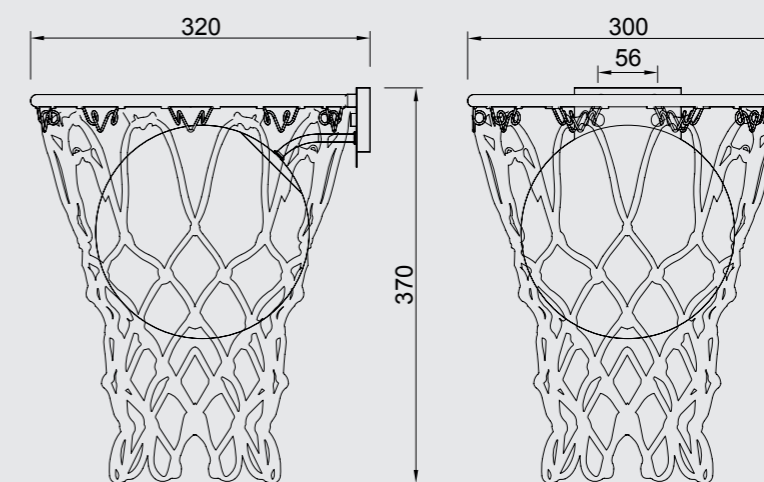
Apliques -Wall lamp

BASKETBALL

7242 Blanco mate-Matt white
1L x E27 (no incl.)

7243 Negra mate-Matt black
1L x E27 (no incl.)

7244 Rojo mate-Matt red
1L x E27 (no incl.)



Registered N° 007663331-0027



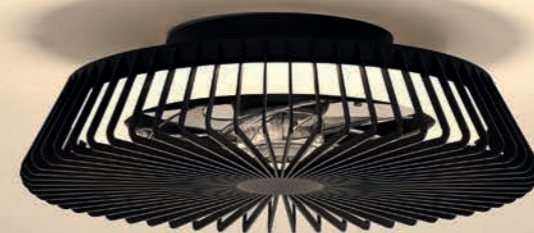
Metal/Nailon-Iron/Nylon rope 100-240V~50/60Hz E27 máx.20W Led



GERMAN
DESIGN
AWARD
NOMINEE
2021

HIMALAYA by Santiago Sevillano

7121

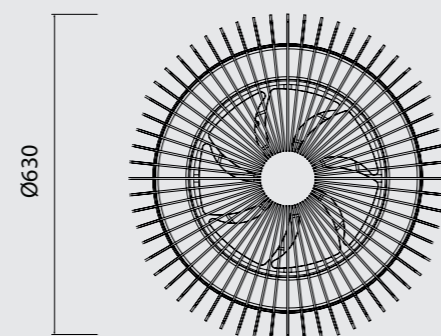
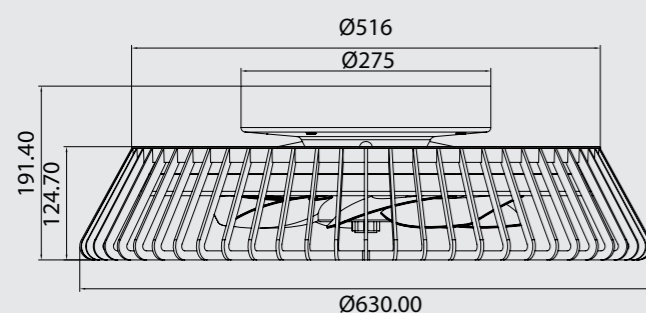
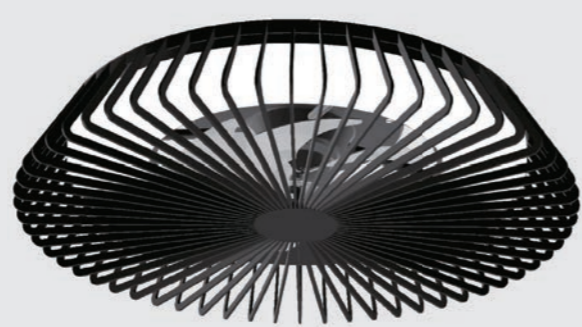


Registered N° 007663331-0005

HIMALAYA

7120 Blanco-White
LED 70W 2700K-5000K 4900lm
Ventilador 35W

7121 Negro-Black
LED 70W 2700K-5000K 4900lm
Ventilador 35W



- DC motor
- 35W motor
- RPM MÁX 1050
- 102m³/min
- dB 41,8 min / 51,8 max



Powered by



mAntra lighting

Powered by



works with Google Assistant
works with amazon alexa
VOICE CONTROL SYSTEM



- 2700-5000K
- Dimmable
- RF
- 24.000h
- ON/OFF
- 5 YEAR WARRANTY
- IP20
- A++...A

Acrílico - Acrylic 220-240V - 50/60Hz CRI >80

7121



Registered N° 007663331-0005



7120

HIMALAYA by Santiago Sevillano



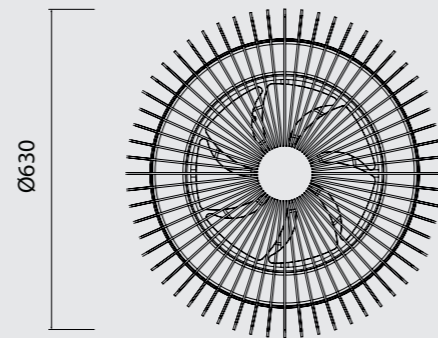
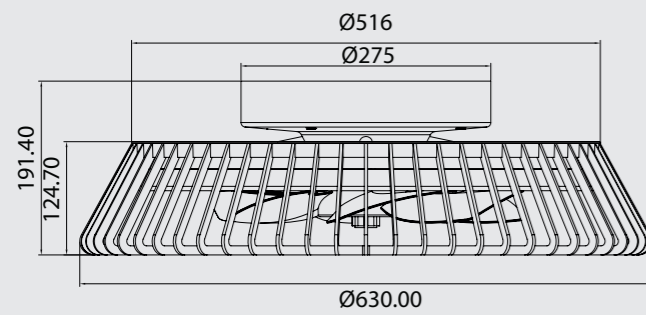
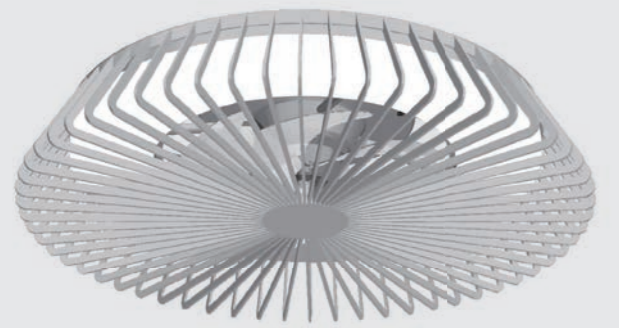
Registered N° 007663331-0004



HIMALAYA

7122 Plata-Silver
LED 70W 2700K-5000K 4900lm
Ventilador 35W

7128 Madera-Wood
LED 70W 2700K-5000K 4900lm
Ventilador 35W



- DC motor
- 35W motor
- RPM MÁX 1050
- 102m³/min
- 41.8 min / 51.8 max dB



Powered by



mAntra lighting

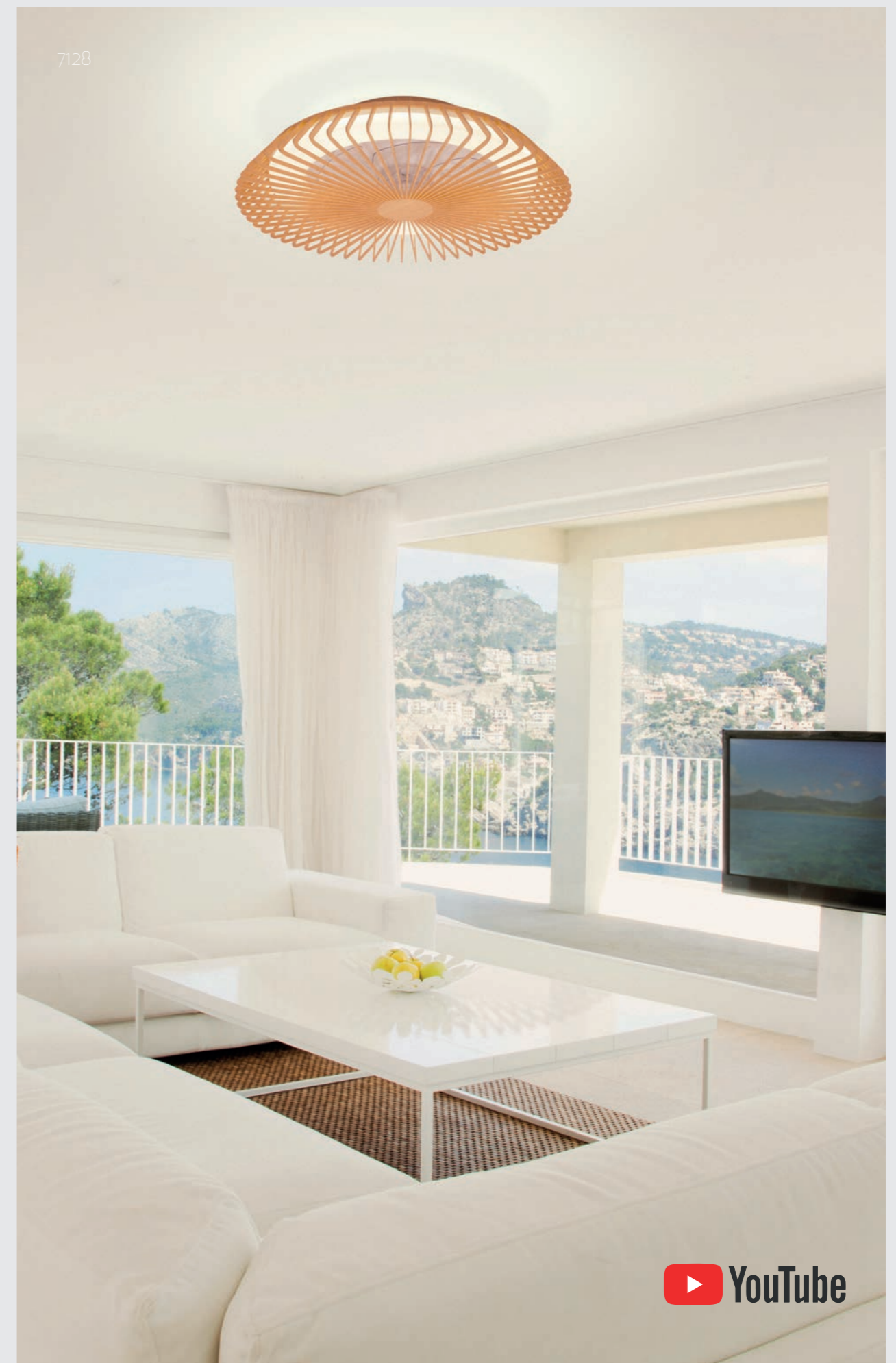
Powered by



works with
Google Assistant
works with
amazon alexa
VOICE CONTROL SYSTEM

- 2700-5000K
- Dimmable
- RF
- 24,000h
- ON/OFF
- 5 YEAR WARRANTY
- IP20
- A++...A

Acrílico - Acrylic 220-240V - 50/60Hz CRI >80





TÍBET by José Ignacio Ballester



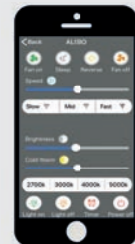
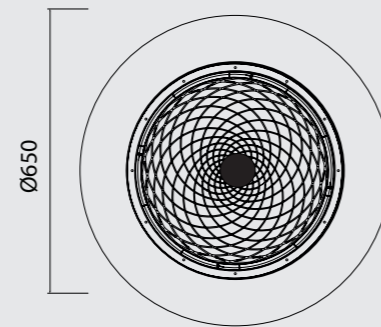
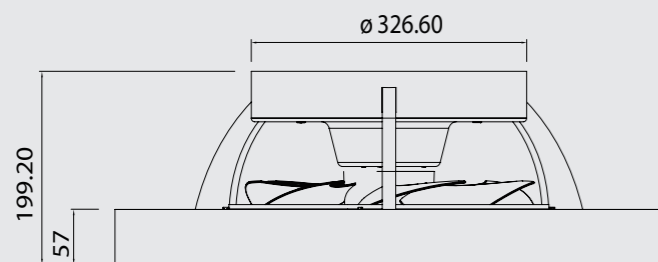
Registered N° 007663331-0019

TÍBET

7125 Plata-Silver
LED 70W 2700K-5000K 3900lm
Ventilador 35W



7126 Madera-Wood
LED 70W 2700K-5000K 3900lm
Ventilador 35W



Powered by



mAntra lighting

Powered by



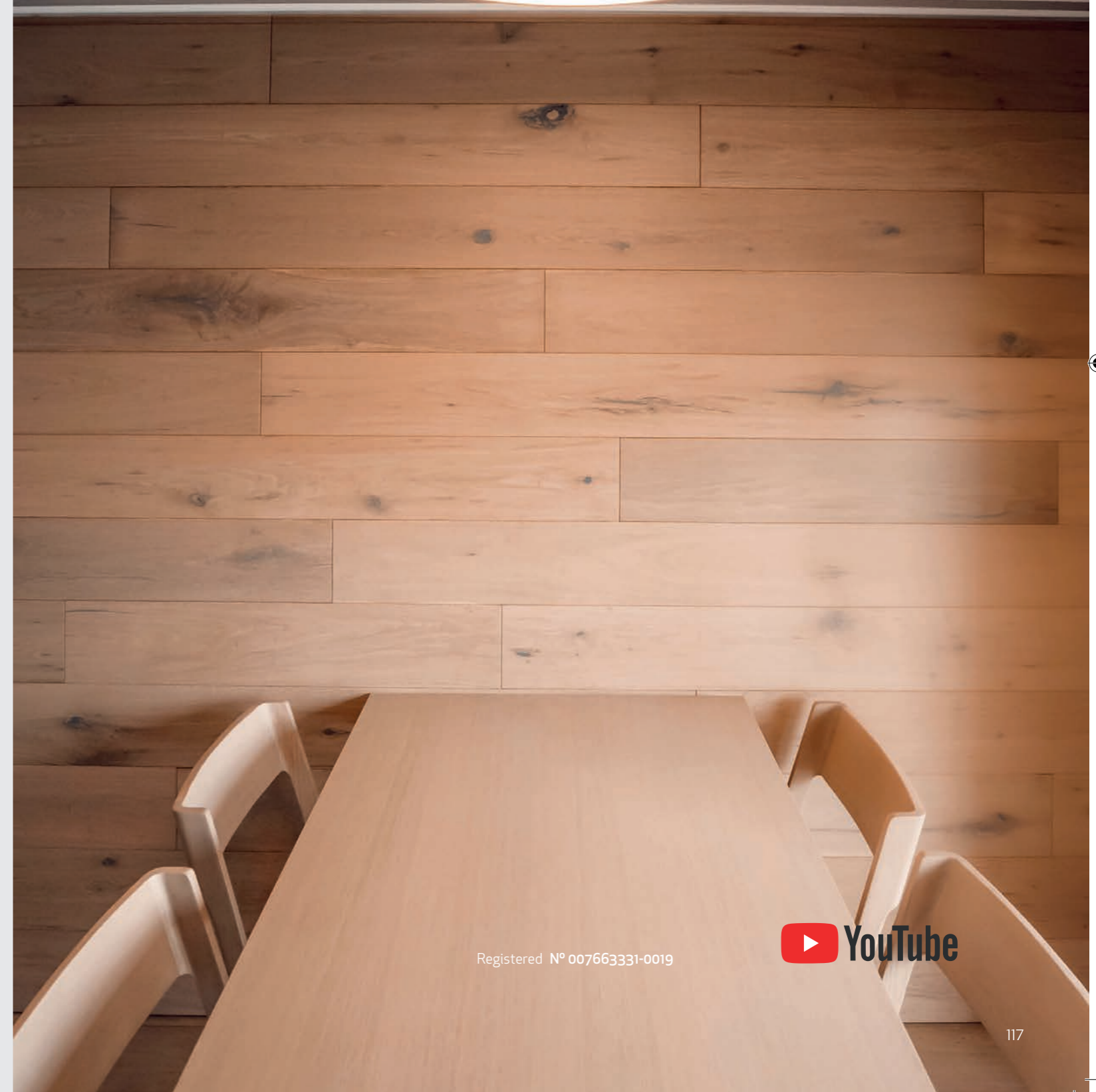
works with
Google Assistant
works with
amazon alexa
VOICE CONTROL SYSTEM



Metal/ABS 220-240V~ 50/60Hz CRI >80

7126

TÍBET



Registered N° 007663331-0019





7123

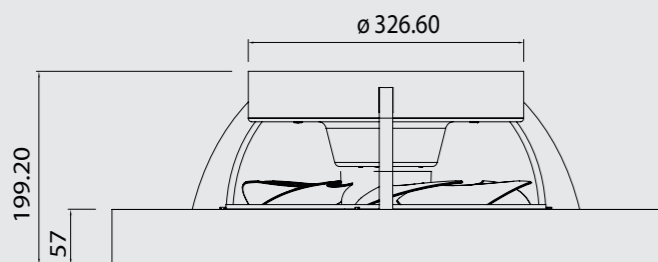


TÍBET by José Ignacio Ballester

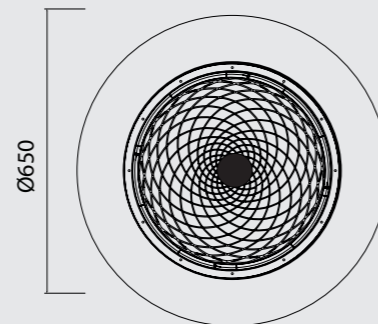
Registered - N° 007663331-0019

TÍBET

7123 Blanco-White
LED 70W 2700K-5000K 3900lm
Ventilador 35W



7124 Oro/Negro-Gold/Black
LED 70W 2700K-5000K 3900lm
Ventilador 35W



Powered by



mAntra lighting

Powered by



works with
Google Assistant
works with
amazon alexa
VOICE CONTROL
SYSTEM



Metal/ABS 220-240V~ 50/60Hz CRI >80

7124

TÍBET



Registered N° 007663331-0019





7124

TÍBET by José Ignacio Ballester



Registered N° 007663331-0019



6707



ALISIO by Mantra Team

Registered N° 006190500-001

ALISIO

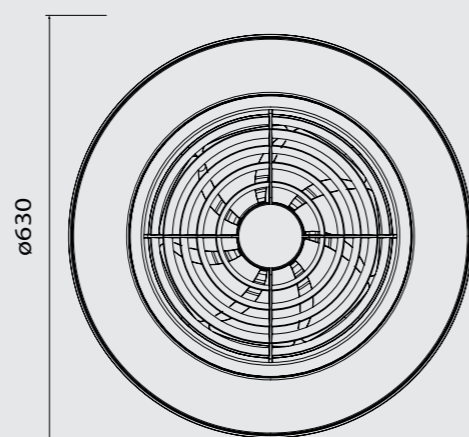
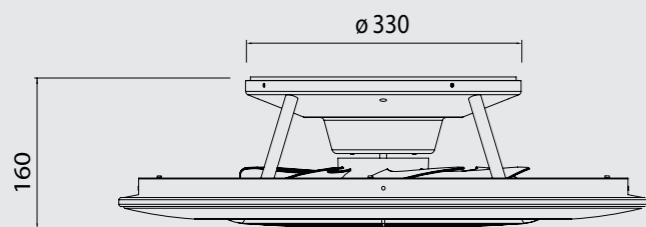
6707 Cuero-Antique Brass
LED 70W 2700K-5000K 4900lm
Ventilador 35W



6706 Gris cromo-Chrome Gray
LED 70W 2700K-5000K 4900lm
Ventilador 35W



6705 Blanco-White
LED 70W 2700K-5000K 4900lm
Ventilador 35W



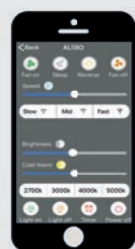
- DC motor
- 35W motor
- RPM MAX 1050
- 102m² min
- 41,8 min / 51,8 max dB



Powered by



mAntra lighting



- 2700-5000K
- Dimmable
- RF
- 24.000h
- ON/OFF
- 5 YEAR WARRANTY
- IP20
- A++...A

Metal/ABS 220-240V~ 50/60Hz CRI >80



Registered N° 006190500-001

ÍNDICE REFERENCIAS

6705	127
6706	126
6707	125
7120	108
7121	107
7122	112
7123	118
7124	120
7125	116
7126	115
7128	112
7230	11
7231	12
7232	16
7233	19
7234	15
7235	15
7242	105
7243	104
7243	105
7244	102
7245	36
7246	38
7248	55
7249	54
7250	96
7251	96
7252	96
7253	96
7254	98
7255	99
7256	98
7257	98
7260	26
7261	28
7262	29
7265	88
7266	92
7267	84
7280	48
7281	48
7283	42
7285	50
7286	46
7287	50
7288	46
7330	66
7331	66
7332	62
7333	62
7334	68
7335	64
7336	68
7337	64
7345	76
7346	76
7347	72
7348	73
7349	78
7350	78
7351	80
7352	80
7355	24
7356	32
7357	33

CRÉDITOS

Fotografías

Cualiti Photo Studio
Sergi Penalba
Estudios Aviñó
Dpto. Comunicación Mantra

Colaboraciones y atrezzo

Santiago Sevillano Studio
Mobliberica
Musola
Capdell
Tecninova

Imprenta

Impressa Artes gráficas

Diseño gráfico y Comunicación

Amparo Navarro

MANTRA

Pol. Ind. Los Vientos
Calle Alisio, parcela nº4
46119 Náquera · Valencia · Spain
Tel. +34 96 160 99 50
mantra@mantraco.org

Depto. Nacional

Tel. +34 96 160 99 50
mar@mantraco.org

Depto. Internacional

Tel. +34 96 160 99 50
c.ando@mantraco.org

Depto. Diseño y Comunicación

creativo@mantraco.org